

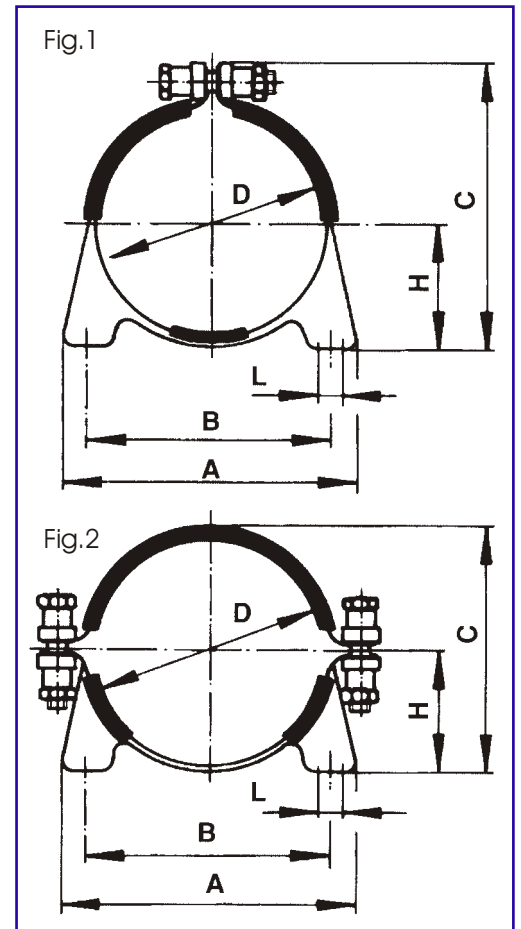
# ACCESSORIES FOR HYDRAULIC ACCUMULATORS

## Clamps and Support bracket for Accumulators fastening

### DESCRIPTION

- Make a perfect fastening of the accumulators. They are essential for a safety of installation, in according to CETOP normative.
- All the clamps and bracket are available in 316L stainless steel.
- When the lower fitting has been planned and don't need a support bracket, we can supply the rubber elements only, that provide the right stability and body protection.

Code	Model	Ø D mm	H mm	A mm	B mm	C mm	Ø L mm	Width Mm
201.492 (Fig.1)	A 56	56	36	134	97	92	9	30
201.497 (Fig.1)	B 90	90	53	134	97	127	9	30
200.570 (Fig.1)	C114	114	73	138	100	170	9	30
201.378 (Fig.2)	D130	130	77	172	136	147	9	30
201.267 (Fig.2)	C168	168	92	188	148	181	9	40
201.271 (Fig.2)	D215	215	123	270	216	236	15	40
200.271 (Fig.2)	D226	226	123	270	216	241	15	40
201.274 (Fig.2)	D368	368	200	420	340	389	15	50



Code complete bracket	Model	Ø G mm	H mm	I mm	J mm	Ø K mm	L mm	M mm	N mm	R mm	Weight kg
200.570	CE 89	101	73	140	75	13	25	60	75	130	30
201.187	CE 108	120	92	175	95	17	25	80	160	210	1,5
201.090	CE 159	170	123	235	115	18	25	100	200	260	2,5

