

SOLENOID VALVE for NEUTRAL FLUIDS & STEAM TYPE 255

2/2 WAY - 0 ÷ 10 bar - 1/4" ÷ 1/2" Threads - Direct acting - Normally closed

Direct acting solenoid valve system. For neutral gases and liquids, high temperatures such as hot water, steam, hot air, thermal oils. Applicables: heating, sterilizing, impregnating.

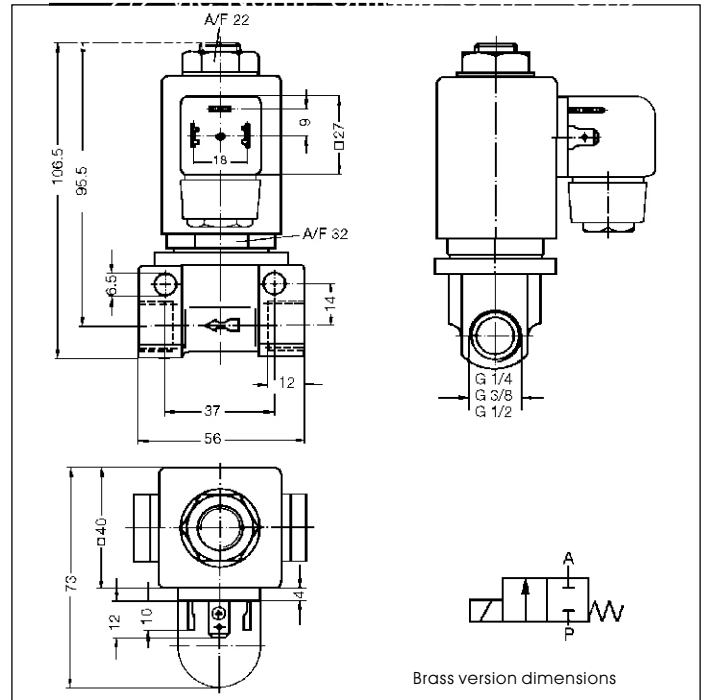
Technical data

Pressure ranges	0-10 bar, max.
Temperature media	-10°C ... +140 °C (FPM gasket) -40°C ... +180 °C (PTFE gasket)
Ambient temperature	+55 °C, max.
Body material	Brass, Stainless steel
Seal material	FPM, PTFE
Coil material	Epoxy
Power consumption	DC: 12 W AC: 35 a 40 VA (inrush)
Protection class	IP 65 standard delivery
Connector	Cable plug DIN 43 650 A

Options

- Other orifices for higher pressure or higher flow rates (DN 1-8 mm)
See data sheet
- High temperature version up to 250 °C

Dimension [mm]



SPECIFICATIONS

Threads [Pollici]	Orifice [mm]	Kv values (Water) [m³/h]	Pressure R.		Material		Weight [kg]
			(AC) [bar]	(DC) ¹⁾ [bar]	Body	Seal	
G 1/4	4.0	0.5	0-10	0- 4	Ms	FPM	0.6
G 1/4	4.0	0.5	0-10	0- 4	Ms	PTFE	0.6
G 1/4	4.0	0.5	0-10	0- 4	Ac. 1.4410	PTFE	0.6
G 3/8	4.0	0.5	0-10	0- 4	Ms	FPM	0.6
G 3/8	4.0	0.5	0-10	0- 4	Ms	PTFE	0.6
G 3/8	6.0	0.8	0- 4	0- 1	Ms	FPM	0.6
G 3/8	6.0	0.8	0- 4	0- 1	Ms	PTFE	0.6
G 1/2	6.0	0.8	0- 4	0- 1	Ms	FPM	0.6
G 1/2	6.0	0.8	0- 4	0- 1	Ac. 1.4410	PTFE	0.6

¹⁾Depends on media temperature

ORDERING CODE

Voltage / Frequency [V/Hz]				
24/DC	24/50	110/50	230/50	
020 858 H	064 802 S	135 944 K	135 952 K	
058 796 D	065 454 V	023 897 G	135 953 L	
021 251 V	020 468 A	077 369 K	121 372 X	
135 957 Q	062 845 S	135 945 L	135 954 M	
065 438 V	059 100 R	046 886 L	135 955 N	
135 956 P	068 211 C	135 946 M	135 948 X	
053 764 F	050 389 R	066 222 V	135 949 Y	
135 958 Z	135 959 S	135 947 N	135 950 V	
022 504 M	052 859 E	067 990 V	135 951 J	

With standard cable plug 0-250 V AC/DC

- ✓ Temperature up to 180 °C
- ✓ Metal seal between coil and valve body
- ✓ Erosion resistant