

SOLENOID VALVE for NEUTRAL & AGGRASSIVE FLUIDS TYPE 330


2/2 way - 0 ÷ 10 bar - 1/4" Threads - Isolating diaphragm - Normally open / closed function

Direct acting valve with pivoted armature. The unique valve design hermetically isolates the actuator from the fluid. Making it less sensitive to slightly contaminated fluids than a plunger-types system and provides a long service life, even in unlubricated applications.

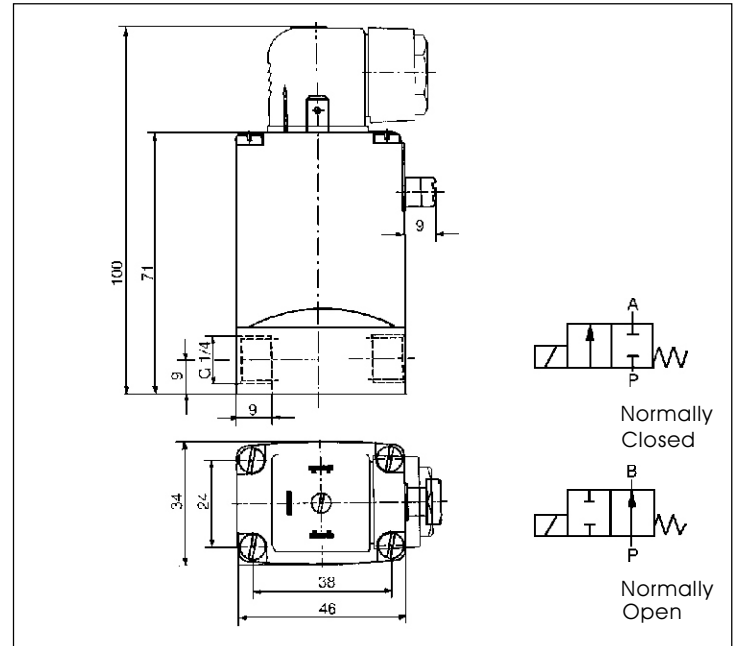
Technical data

Pressure range	0-10 bar, max.
Media temperature	-10 °C ... +90 °C
Ambient temperature	+55 °C, max.
Body	Brass, Stainless steel
Gasket	NBR (brass), FPM (S.S.)
Coil material	Epoxy
Power consumption	DC: 8 W AC: 30 VA (inrush) 15 VA (hold)
Protection	IP 65 (standard delivery)
Connector	Cable plug DIN 43 650 A, 0-250V

Options

- EPDM (Brass only), FPM gasket
- Vacuum
- Diagnosis: electrical feed-back Signaller type 1060
- Impulse coil
- Explosion protection to  Eurostandard

Dimension [mm]



SPECIFICATIONS

Threads	Orifice	Valore Kv ¹⁾	Pressure range		weight
			(AC)	(DC)	
[Inch]	[mm]	[m ³ /h]	[bar]	[bar]	[g]
Brass valve body (normally closed)					
G 1/4	3.0	0.23	0-10	0-10	400
G 1/4	4.0	0.28	0-5	0-5	400
Stainless steel valve body (normally closed)					
G 1/4	3.0	0.23	0-10	0-10	400
G 1/4	4.0	0.28	0-5	0-5	400
Brass valve body (normally open)					
G 1/4	3.0	0.23	0-10	0-10	400
G 1/4	4.0	0.28	0-5	0-5	400
Stainless steel valve body (normally open)					
G 1/4	3.0	0.23	0-10	0-10	400
G 1/4	4.0	0.28	0-5	0-5	400

¹⁾ Flow rate reduced 20% with DC-current operation

ORDERING CODE

Voltage / Frequency [V/Hz]				
24/DC	24/50	110/50	230/50	
Brass valve body (normally closed)				
020 293 T	022 883 H	024 592 F	124 909 W	
024 019 K	025 246 U	124 911 F	124 912 G	
Stainless steel valve body (normally closed)				
020 292 S	023 984 F	089 070 C	124 906 K	
018 276 B	018 857 S	023 830 Q	124 908 V	
Brass valve body (normally open)				
141 917 N	130 146 S	141 918 X	141 919 Y	
141 920 V	141 921 J	141 922 K	141 923 L	
Stainless steel valve body (normally open)				
141 928 Z	141 929 S	141 930 X	141 931 L	
141 932 M	141 933 N	141 934 P	141 935 Q	

With standard cable plu 0-250 V AC/DC

- ✓ Universal function
- ✓ Hermetic isolation of fluid from the actuator
- ✓ Long service life, even in non-lube Conditions
- ✓ Insensitive to slightly contaminated fluids, operational reliability