

SOLENOID VALVE FOR STEAM & HIGH TEMPERATURE MEDIA TYPE 407

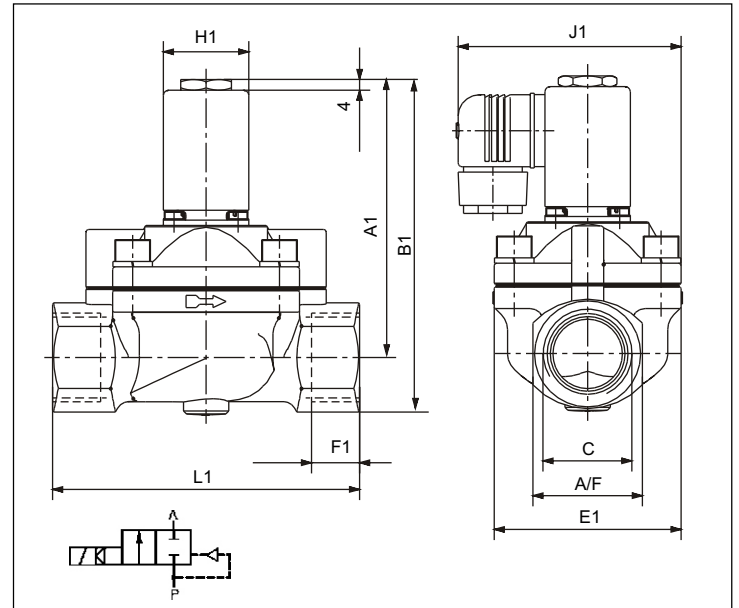
2/2 way - 0 ÷ 10 bar - 1/4" ÷ 2" Threads - Normally Closed function

Servo-assisted valve with coupled piston. Opens without differential pressure. For neutral media, such as steam, hot air etc. For use on the vacuum side of autoclaves, in the textile, plastic and woodworking industries.

Technical data

Pressure range	0-10 bar, max.
Media temperature	-0 °C ... +180 °C
Ambient temperature	+55 °C, max.
Body	Brass (valve seat S.St. 1.4303)
Gasket	PTFE
Coil material	Epoxy
Power consumption	DC: 28 W (DN 50) AC: 100-120 VA (inrush) 35 VA (hold)
Protection	IP 65 (standard delivery)
Cable plug	Cable plug DIN 43 650 A, 0-250V

Dimension [mm]



Variable dimensions [mm]

Threads	Orifice	A1	B1	F1	E1	L1	J1	H1	A/F
G 1/2	13.0	113.0	127	14	40	65	73	32	27
G 3/4	20.0	131.0	147	16	60	100	80.5	32	32
G 1	25.0	136.5	157	18	70	115	80.5	32	41
G 1 1/4	32.0	161.0	186	20	85	126	80.5	32	50
G 1 1/2	40.0	165.0	195	22	85	126	80.5	32	60
G 2	50.0	225.0	260	24	115	164	104.5	32	70

SPECIFICATIONS

Threads [Inch]	Orifice [mm]	Kv-value (Water) [m³/h]	Pressure range		Weight [kg]
			(AC) [bar]	(DC) [bar]	
G 1/2	13.0	3.7	0-10	0-10	1.00
G 3/4	20.0	5.0	0-10	0-10	1.40
G 1	25.0	10.0	0-10	0-10	1.90
G 1 1/4	32.0	16.0	0-10	0-10	3.20
G 1 1/2	40.0	16.0	0-10	0-10	3.65
G 2	50.0	36.0	0-10	0-10	7.80

ORDERING CODE

With standard cable plug 0-250 V AC/DC

Voltage / Frequency [V/Hz]				
24/DC	24/50	110/50	230/50	
---	021 598 J	024 411 H	615 637 Y	
---	022 032 E	021 792 L	615 157 X	
---	021 620 T	024 412 A	615 638 H	
---	085 385 M	085 386 N	064 919 W	
---	085 392 L	085 393 M	085 394 N	
085 400 Z	---	085 401 N ¹⁾	085 402 P	

¹⁾ Universal current, cable plug with integrated single phase Rectifier bridge

- ✓ Zero differential pressure
- ✓ Fluid temperature up to 180 °C
- ✓ High reliability
- ✓ Erosion resistant