

SERVO-ASSISTED SOLENOID VALVE FOR NEUTRAL FLUIDS TYPE 5281

2/2 way - 0,2 ÷ 16 bar - 1/2" ÷ 2" threads - Waterhammer-free - Normally closed function

Servo-assisted solenoid valve system. For neutral gases and liquids.
Applications: process system, chemical processing, water/sewage treatment, sterilizers.

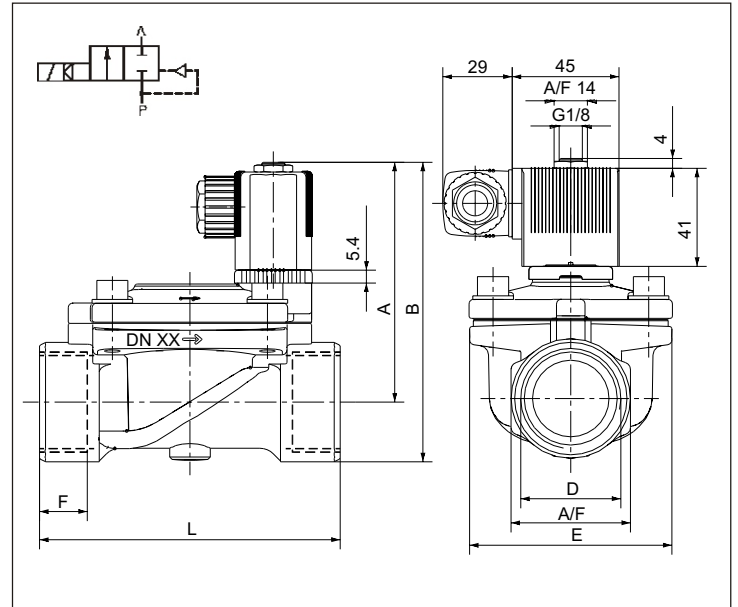
Technical data

Pressure range	0,2-16 bar, max.
Media temperature	-10 °C ... +90 °C
Ambient temperature	+55 °C, max.
Body	Brass
Gasket	NBR
Coil material	Polyamide
Power consumption	DC: 8 W AC: 21 VA (Inrush) 12 VA (hold)
Protection	IP 65 (standard delivery)
Connector	Cable plug DIN 43 650 A, 0-250V

Options

- Manual override
- 5 W power consumption
- 2 W power consumption
- Explosion proof protection
- ☒ Eurostandard

Dimension [mm]



Variabile dimensions [mm]

Threads	Orifice [mm]	A	B	F	E	L	A/F
G 1/2	13.0	86.0	100.0	14	40	65	27
G 3/4	20.0	91.5	107.5	16	60	100	32
G 1	25.0	95.5	116.0	18	70	115	41
G 1 1/4	32.0	101.5	126.5	20	85	126	50
G 1 1/2	40.0	105.5	135.5	22	85	126	60
G 2	50.0	122.2	157.2	24	115	164	70
G 2 1/2	65.0	122.2	157.2	27	115	180	85

SPECIFICATIONS

Threads	Orifice	Kv-value (Water)	Pressure range	Weight
[Inch]	[mm]	[m ³ /h]	[bar]	[kg]
G 1/2	13.0	4.0	0.2-16	0.60
G 3/4	20.0	5.0	0.2-16	1.10
G 1	25.0	10.0	0.2-16	1.50
G 1 1/4	32.0	20.0	0.2-16	2.25
G 1 1/2	40.0	20.0	0.2-16	2.65
G 2	50.0	40.0	0.2-16	4.95

ORDERING CODE

Voltage / Frequency [V/Hz]				
24/DC	24/50-60	110/50-60	230/50-60	
134 317 M	134 318 W	134 319 X	134 320 U	
134 321 R	134 322 J	134 323 K	134 324 L	
134 325 M	134 326 N	134 327 P	134 328 Y	
134 329 Z	134 330 W	134 331 K	134 332 L	
134 333 M	134 334 N	134 335 P	134 336 Q	
134 337 R	134 338 S	134 339 T	134 340 G	

With standard cable plug 0-250 V AC/DC

- ✓ High reliability
- ✓ Modular solenoid coil system
- ✓ Waterhammer-free, low noise
- ✓ Compact design with high flow rates