

AERVO ASSISTED SOLENOID VALVE TYPE 5282

2/2 way - 0,2 ÷ 10 bar - 1/2" ÷ 2" Threads - Normally Closed function

Servo-assisted brass - S.S. Valve system. Pivoted armature system isolates the actuator from the fluid. More insensitive to slightly contaminated fluids than a conventional plunger-type valve system.

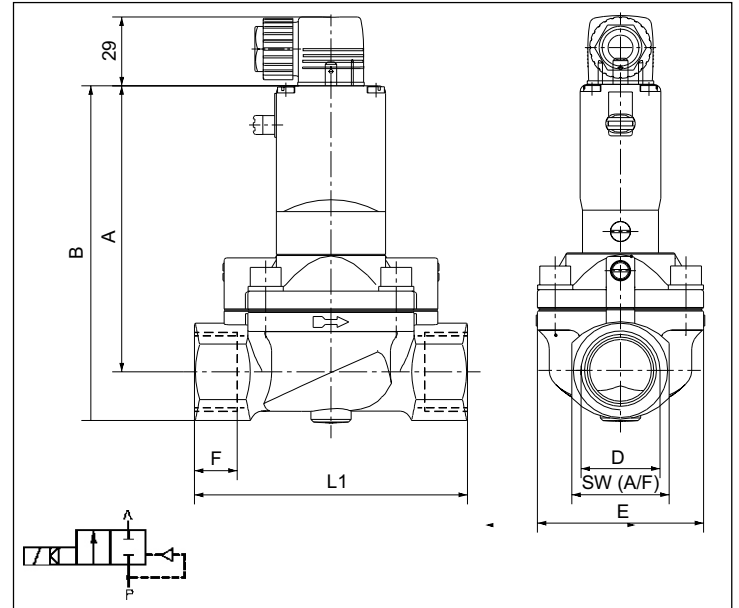
Technical data

Pressure range	0,2-10 bar, max.
Media temperature	0 °C ... +90°C
Ambient temperature	+55°C, max.
Body	Brass
Gasket	NBR
Coil material	Epoxy
Power consumption	DC: 8 W AC: 21 VA (inrush) 12 VA (hold)
Protection	IP 65 (standard delivery)
Connector	Cable plug DIN 43 650 A, 0-250V

Opzioni

- Normally open (NO)
- Diagnosis:
Electrical feedback signaller
- Impulse coil
- Explosion proof protection
Eurostandard

Dimension [mm]



Variable dimensions [mm]

Threads	OrificeN,[mm]	A	B	F	E	L	A/F
G 1/2	13.0	109.0	123.0	14	40	65	27
G 3/4	20.0	115.0	131.0	16	60	100	32
G 1	25.0	120.5	141.0	18	70	115	41
G 1 1/4	32.0	122.0	147.0	20	85	126	50
G 1 1/2	40.0	126.0	156.0	22	85	126	60
G 2	50.0	142.5	177.5	24	115	164	70
G 2 1/2	65.0	142.5	185.0	27	115	180	85

ORDERING CODE STAINLESS STEEL / FPM

Voltage / Frequency [V/Hz]				
24/DC	24/50-60	110/50-60	230/50-60	
134 514 B	134 515 C	134 516 D	134 517 E	
134 518 P	134 519 Q	134 520 M	134 521 A	
134 522 B	134 523 C	134 524 D	134 525 E	
134 526 F	134 527 G	134 528 R	134 529 J	
134 530 P	134 531 C	134 532 D	134 533 E	
134 534 F	134 535 G	134 536 H	134 537 A	

With standard cable plug 0-250 V AC/DC

SPECIFICATIONS

Threads	Orifice	Kv-value (Water)	Pressure range	Weight
[Inch]	[mm]	[m ³ /h]	[bar]	[kg]
G 1/2	13.0	4.0	0.2-10	0.95
G 3/4	20.0	5.0	0.2-10	1.40
G 1	25.0	10.0	0.2-10	1.85
G 1 1/4	32.0	20.0	0.2-10	2.60
G 1 1/2	40.0	20.0	0.2-10	3.05
G 2	50.0	40.0	0.2-10	5.15

ORDERING CODE BRASS / NBR

Voltage / Frequency [V/Hz]				
24/DC	24/50-60	110/50-60	230/50-60	
134 430 K	134 431 G	134 432 H	134 433 A	
134 434 B	134 435 C	134 436 D	134 437 E	
134 438 P	134 439 Q	134 440 V	134 441 J	
134 442 K	134 443 L	134 444 M	134 445 N	
134 446 P	134 447 Q	134 448 Z	134 449 S	
134 450 X	134 451 L	134 452 M	134 453 N	

With standard cable plug 0-250 V AC/DC

- ✓ Long service life
- ✓ Separating diaphragm isolates solenoid
From operating fluid
- ✓ Lockable manual override as standard