

# HIGH PRESSURE SOLENOID VALVE TYPE 5404

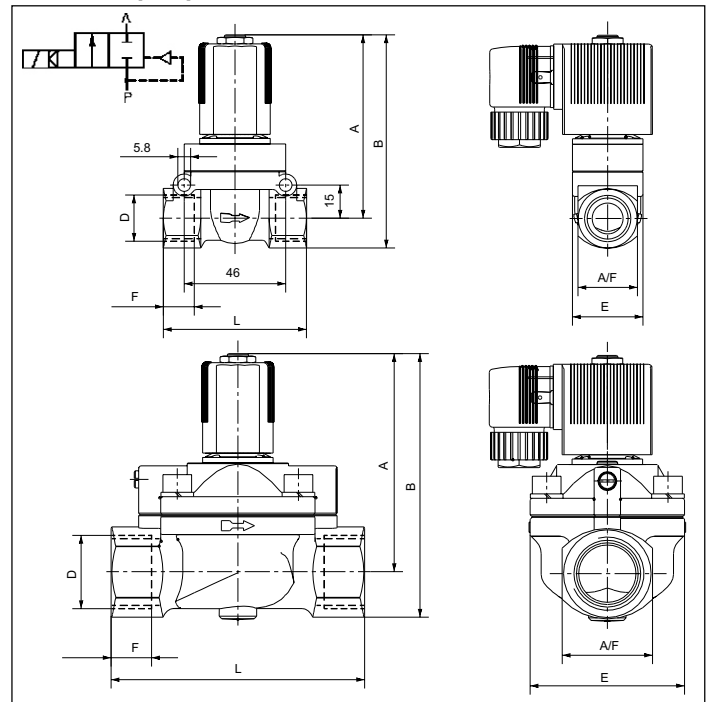
2/2 way - 1 ÷ 50 bar - 1/2" ÷ 1" Threads - Servo-assisted - Normally Open function

Servo-assisted solenoid valve system. For neutral gases and liquids such as compressed air, natural gas, water. Applications: compressed air pressure system, gas turbines.

## Technical data

Pressure ranges	1-50 bar
Temperature media	-10 ÷ +90 °C
Ambient temperature	+55 °C, max
Body material	Brass
Gasket material	PTFE (O-rings NBR)
Coil material	Polyamide
Power consumption	DC: 8 W AC: 21 VA (inrush), 12 VA (hold)
Cable plug	IP 65 (standard delivery) Cable plug DIN 43 650 A)

Dimensions [mm]



Variable dimensions [mm]

Threads	Orifice [mm]	A	B	F	E	L	A/F
G 1/2	12.0	83.0	95.5	14	32	65	27
G 3/4	20.0	93.0	109.0	16	60	100	32
G 1	25.0	99.5	119.0	18	70	115	41

## TECHNICAL SPECIFICATIONS

Threads	Orifice	Kv-value (Water)	Q <sub>Nn</sub> (Air)	Pressure range		Weight
				(Air)	(Liquids)	
[Inch]	[mm]	[m <sup>3</sup> /h]	[l/min]	[bar]	[bar]	[kg]
G 1/2	12.0	2.0	2200	1-50	1-50	0.60
G 3/4	20.0	5.0	5400	1-40	1-25	1.17
G 3/4	20.0	5.0	5400	1-32	1-25	1.17
G 1	25.0	10.0	10800	1-40	1-25	1.68
G 1	25.0	10.0	10800	1-32	1-25	1.68

## ORDERING CODE

Voltage / Frequency [V/Hz]				
24/DC	24/50	110/50	230/50	
134 590 L	134 591 H	134 592 A	134 593 B	
---	134 595 D	134 596 E	134 597 F	
134 594 C	---	---	---	
	134 599 R	134 600 E	134 601 T	
134 598 Q	---	---	---	

With standard cable plug 0-250 V AC/DC

- ✓ High reliability
- ✓ Unaffected by pressure surges
- ✓ Easy coil change
- ✓ Coil lockable in 4x90°, positions, or Freely movable in between, as required