

# MINIATURE SOLENOID VALVE TYPE 6012

3/2 way - 0 ÷ 10 bar - 1/8" threads

Direct acting. Brass body valve for neutral gases and liquids such as compressed air, water, hydraulic oil. Stainless steel valve for more difficult and slightly aggressive media.

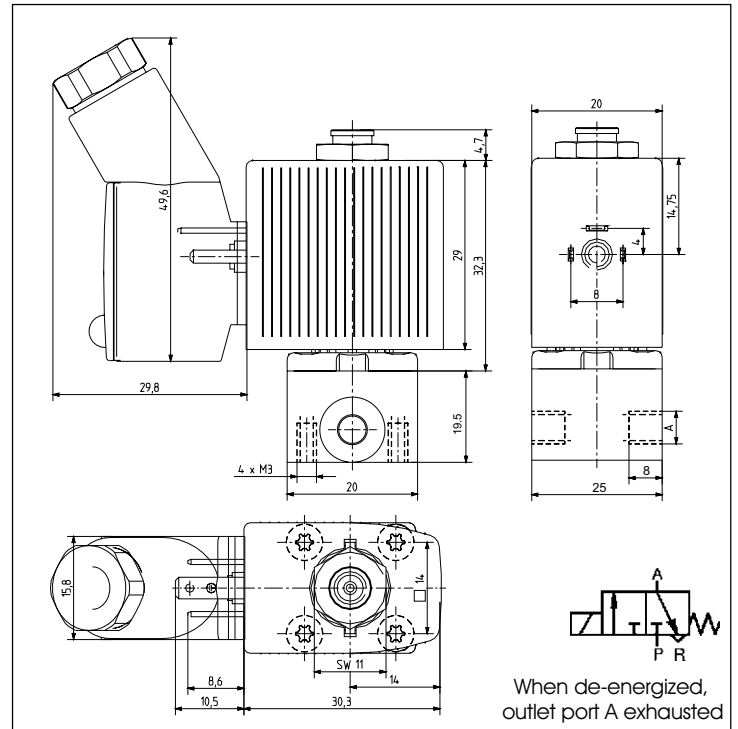
## Technical data

Pressure ranges	0-10 bar
Temperature media	-10 ÷ +100 °C
Ambient temperature	+55 °C, max
Body material	Brass
Gasket material	FPM
Coil material	Polyamide
Power consumption	DC: 4 W AC: 9 VA(inrush), 6 VA (hold)
Cable plug	IP 65 (standard delivery) Cable plug DIN 43 650 A)

## Optionsi

- Threaded port M5
- Normally open version
- Wide range of cable plugs

Dimension [mm]



## SPECIFICATIONS

Thread [Inch]	Orifice [mm]	Kv-value (Water) [m <sup>3</sup> /h]	Pressure range		Weight [g]
			(AC) [bar]	(DC) [bar]	
Brass version (without manual override)					
G 1/8	1.2	0.045	0-10	0-10	131
G 1/8	1.6	0.06	0-6	0-6	131
Brass version (with manual override)					
G 1/8	1.2	0.045	0-10	0-10	131
G 1/8	1.6	0.06	0-6	0-6	131
Stainless steel (without manual override)					
G 1/8	1.2	0.045	0-10	0-10	127
G 1/8	1.6	0.06	0-6	0-6	127

## ORDERING CODE

Voltage / Frequency [V/Hz]				
24/DC	24/50	110/50	230/50	
Brass version (without manual override)				
134 151 P	134 152 Q	134 153 R	134 154 J	
134 155 K	134 156 L	134 157 M	134 158 W	
Brass version (with manual override)				
134 159 X	134 160 U	134 161 R	134 162 J	
134 163 K	134 164 L	134 165 M	134 166 N	
Stainless steel (without manual override)				
134 167 P	134 168 Y	134 169 Z	134 170 W	
134 171 K	134 172 L	134 173 M	134 174 N	

With standard cable plug 0-250 V AC/DC

- ✓ Coil can easily be changed with Valve in place
- ✓ Coil lockable in 4x90° positions or Freely movable in between, as Required
- ✓ High-quality seal material FPM (Viton) standard