

COMPACT SOLENOID VALVE TYPE 6014

3/2 way - 1/8" ÷ 1/4" Threads - 0 - 10 bar

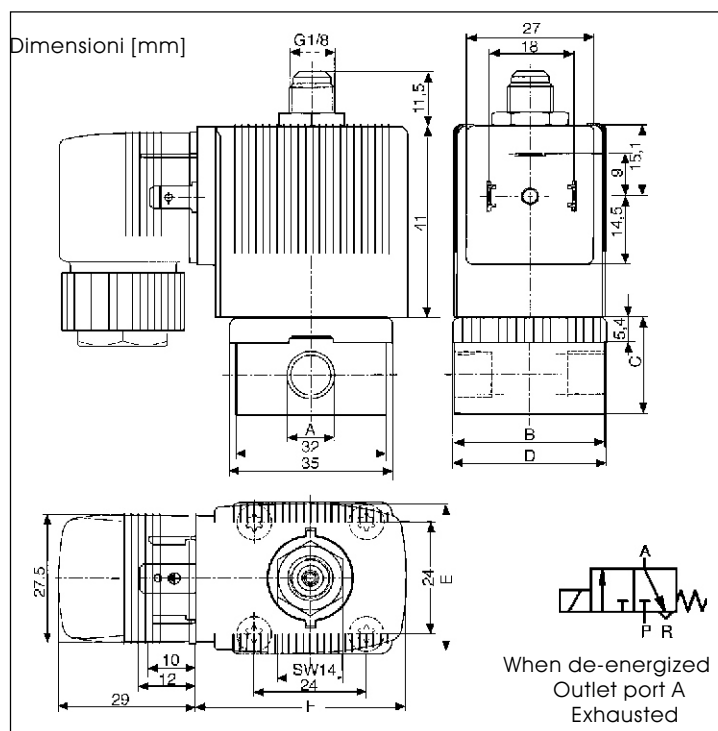
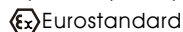
Modular direct acting solenoid valve system with brass body.
For neutral gases and liquids such as compressed air, natural gas, water, hydraulic oil. Technical vacuum.

Technical data

Pressure ranges	0-10 bar max
Temperature media	-10 ÷ +100 °C
Ambient temperature	+55 °C, max
Body material	Brass
Gasket material	FPM
Coil material	Polyamide
Power consumption	DC: 8 W AC: 24 VA(inrush), 17 VA (hold) IP 65 (standard delivery)
Cable plug	Cable plug DIN 43 650 A)

Options

- Wide range of cable plugs
- Explosion proof protection



Variable dimensions [mm]

Without manual override	A	B	C	D	E	F
Threads G	1/8	32	20.8	32.6	32	45
Threads G	1/4	46	26.8	49.0	32	45

With manual override	A	B	C	D	E	F
Threads G	1/8	32	20.8	32.6	32	45
Threads G	1/4	46	26.8	49.0	32	45

SPECIFICATIONS

Threads [Inch]	Orifice (Water) [mm]	Kv-value [m ³ /h]	Pressure ranges		Weight [g]
			(AC) [bar]	(DC) [bar]	
Without manual override					
G 1/8	2.0	0.11	0-10	0-10	365
G 1/8	2.5	0.16	0-6	0-6	365
With manual override					
G 1/4	2.0	0.11	0-10	0-10	465

ORDERING CODE

Voltage / Frequency [V/Hz]				
24/DC	24/50	110/50	230/50	
Without manual override				
125 333 L	125 334 M	125 335 N	125 336 P	
125 341 U	125 340 F	126 141 M	125 342 V	
With manual override				
125 349 C	126 147 K	126 148 U	126 149 V	

With standard cable plug 0-250 V AC/DC

- ✓ Coil can easily be changed
With valve in place
- ✓ Coil lockable in 4x90° positions
Or freely movable in between,
As required
- ✓ High-quality seal material FPM
(Viton) standard