

# SOLENOID VALVE FOR SLIGHTLY CONTAMINATED FLUIDS TYPE 6212

2/2 way - 0,2 ÷ 10 bar - 3/8" ÷ 1" Threads - Servo-assisted - Brass & S. Steel - Normally Closed

Servo-assisted brass & S. Steel system. Rocker system isolates the actuator from the fluid. More insensitive to slightly contaminated fluids than a conventional plunger-type valve.

## Technical data

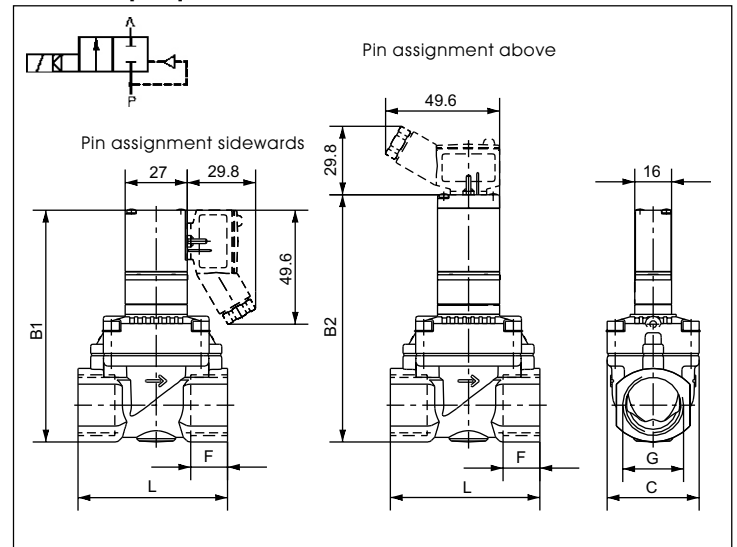
Pressure ranges	0.2-10 bar
Temperature media	-0 ÷ +50 °C
Ambient temperature	+55 °C, max
Body material	Brass
Gasket material	NBR
Coil material	Polyamide
Power consumption	DC: 3,4 W UC: 4 W

Cable plug ) IP 65 (standard delivery)  
Cable plug DIN 43 650 A)

## Options

- With diagnosis:  
Self-detection of leakage  
And high flow or no flow
- Normally open (N.O.)
- FPM or EPDM gasket

Dimension [mm]



Variable dimensions [mm]

Threads	Orifice [mm]	B1	B2	C	F	L
G 3/8	10.0	94.5	101.1	32	12	55
G 1/2	10.0	94.5	101.1	32	14	55
G 1/2	13.0	101.0	106.6	40	14	65
G 3/4	13.0	101.0	106.6	40	16	65
G 3/4	20.0	114.5	121.1	60	16	100
G 1	20.0	114.5	121.1	60	18	100

## SPECIFICATIONS

Threads	Orifice	Kv-value (Water)	Pressure range	Weight
[Inch]	[mm]	[m <sup>3</sup> /h]	[bar]	[kg]
G 3/8	10.0	1.9	0.2-10	0.20
G 1/2	10.0	1.9	0.2-10	0.20
G 1/2	13.0	3.6	0.2-10	0.35
G 3/4	13.0	3.6	0.2-10	0.35
G 3/4	20.0	8.3	0.2-10	0.80
G 1	20.0	8.3	0.2-10	0.80

## CODICI D'ORDINAZIONE OTTONE/NBR

Voltage / Frequency [V/Hz]			
24/DC <sup>1)</sup>	110/ UC <sup>2)</sup>	230/ UC <sup>2)</sup>	
138 930 U	138 931 R	138 932 J	
138 943 V	138 944 W	138 945 X	
138 956 S	138 957 T	138 958 C	
138 968 E	138 969 F	138 970 C	
138 980 X	138 981 L	138 982 M	
138 992 P	138 993 Q	138 994 R	

With standard cable plug 0-250 V AC/DC

<sup>1)</sup> Coil with pin assignment sidewards

<sup>2)</sup> Coil with rectifier, varistor and pin assignment above

## ORDERING CODE S. STEEL / FPM

Voltage / Frequency [V/Hz]			
24/DC <sup>1)</sup>	110/ UC <sup>2)</sup>	230/ UC <sup>2)</sup>	
139 578 G	139 579 H	139 580 X	
139 582 M	139 583 N	139 584 P	
139 586 R	139 587 J	139 588 T	
139 590 Z	139 591 N	139 592 P	
139 594 R	139 595 J	139 596 K	
139 598 V	139 599 W	139 600 K	

With standard cable plug 0-250 V AC/DC

<sup>1)</sup> Coil with pin assignment sidewards

<sup>2)</sup> Coil with rectifier, varistor and pin assignment above

- ✓ Separating diaphragm isolates Solenoid from operating fluid
- ✓ Low power consumption (no relay Necessary when used with a PLC)
- ✓ Easy diagnosis