

SOLENOID VALVE TYPE 6213

Orifice 10 ÷ 40 mm - 1/4" ÷ 2" Threads - Direct Acting - Normally Closed

Servo-assisted solenoid valve system. All valves operate from zero pressure. For neutral liquids such as water, oils and fat without additives.

Technical data

Pressure ranges	0 , 10 bar
Media temperature	NBR -10 , +90 °C EPDM -30 , +120 °C
Ambient temperature	Max +55 °C
Max. Viscosity	21 mm ² /s
Body	Ottone / Inox
Gaskets	NBR / EPDM / FPM
Coil	Polyamide (DN 10 , 20) Epoxy (DN 25 , 40)
Recting	Opening 50 , 700 ms* Closing 100 , 2500 ms*

* depend of orifice, pressure and fluids viscosity

Protection	IP 65
Cable plug	DIN 43650
Mounting	Vertically is preferred

Variabile dimensions [mm] - AC versions

Threads	DN	C	D	E	F	L	A/F	A	B	H	I	K
[Inch]	[mm]											
1/4, 3/8	10	37.5	38.0	20	12	50	27	68.0	82.0	32	20.5	45
1/2	13	45.0	50.5	24	14	58	32	79.5	95.5	32	20.5	45
3/4	20	66.0	66.0	35	16	80	41	95.0	115.5	32	20.5	45
1	25	104.5	104.5	40.5	18	95	41	138.0	158.5	49	24.5	59
1 1/4	25	104.5	104.5	40.5	20	95	50	138.0	163.0	49	24.5	59
1 1/2	40	104.5	104.5	69	22	132	60	149.5	179.5	49	24.5	59
2	40	104.5	104.5	69	24	132	70	149.5	184.5	49	24.5	59

Variabile dimensions [mm] - DC versions

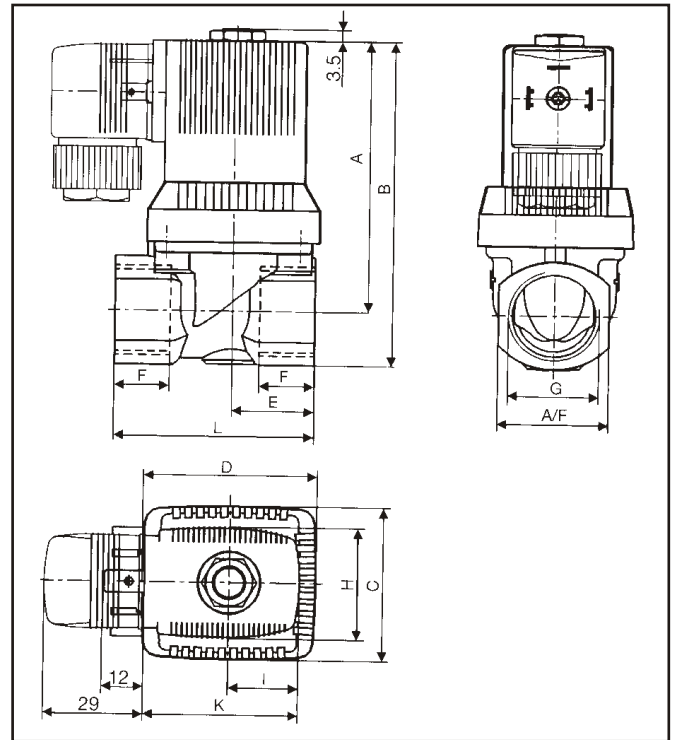
Threads	DN	C	D	E	F	L	A/F	A	B	H	I	K
[Pollici]	[mm]											
1/4, 3/8	10	37.5	38.0	20	12	50	27	68.5	82.5	40	23.5	51
1/2	13	45.0	50.5	24	14	58	32	80.0	96.0	40	23.5	51
3/4	20	66.0	66.0	35	16	80	41	95.5	116.0	40	23.5	51

SPECIFICATIONS S. STEEL / FPM

Threads	Orifice	Kv-value (Water)	Pressure range		Weight
			(AC)	(DC)	
[Inch]	[mm]	[m ³ /h]	[bar]	[bar]	[kg]
G 1/4	10.0	2.0	0-10	0-10	0.40
G 3/8	10.0	2.0	0-10	0-10	0.40
G 1/2	13.0	3.6	0-10	0-10	0.55
G 3/4	20.0	9.0	0-10	0-10	1.10
G 1	20.0	11.0	0-10	0-10	1.10

SPECIFICATIONS BRASS / NBR-EPDM

Threads	Orifice	Kv-value (Water)	Pressure range		Weight
			(AC)	(DC)	
[Inch]	[mm]	[m ³ /h]	[bar]	[bar]	[kg]
G 1/4	10.0	2.0	0-10	0-10	0.40
G 3/8	10.0	2.0	0-10	0-10	0.40
G 1/2	13.0	3.6	0-10	0-10	0.55
G 3/4	20.0	9.0	0-10	0-10	1.00
G 1	25.0	11.0	0-10	-----	1.70
G 1 1/4	25.0	11.0	0-10	-----	1.70
G 1 1/2	40.0	30.0	0-10	-----	3.60
G 2	40.0	30.0	0-10	-----	3.60



ORDERING CODE BRASS / EPDM

Voltage / Frequency [V/Hz]			
24/DC	24/50	110/50	230/50
139 096 R	139 097 J	139 098 T	139 099 U
135 217 J	135 218 T	135 219 U	135 220 Z
135 226 K	135 227 L	135 228 V	135 229 W
135 234 K	135 235 L	135 236 M	135 237 N
---	135 133 E	135 134 F	135 135 G
---	135 136 H	135 137 A	135 138 K
---	135 145 J	135 146 K	135 147 L
---	135 148 V	135 149 W	135 150 T

With standard cable plug 0-250 V AC/DC

ORDERING CODE BRASS / NBR

Voltage / Frequency [V/Hz]			
24/DC	24/50	110/50	230/50
139 100 E	139 101 T	139 102 U	139 103 V
125 653 V	125 654 W	125 655 X	125 656 Y
125 657 Z	125 658 A	125 659 B	125 660 G
126 284 M	126 285 N	126 286 P	126 287 Q
---	134 678 F	134 679 G	134 680 W
---	134 681 K	134 682 L	134 683 M
---	134 684 N	134 685 P	134 686 Q
---	134 687 R	134 688 S	134 689 T

With standard cable plug 0-250 V AC/DC

ORDERING CODE S. STEEL / FPM

Voltage / Frequency [V/Hz]			
24/DC	24/50	110/50	230/50
141 187 K	141 188 U	141 189 V	141 190 S
141 191 P	141 192 Q	141 193 R	141 194 J
141 215 W	141 216 X	141 217 Y	141 218 H
141 239 E	141 240 K	141 241 G	141 242 H
141 243 A	141 244 B	141 245 C	141 246 D

With standard cable plug 0-250 V AC/DC