

ADJUSTABLE FLOW SWITCHES SERIES IFE

Fluids: Water, liquids with viscosity like water, oil.
 Maximum working pressure: 50 bar.
 Perdita di carico max. con H2O 0,5 bar.
 Differenziale di intervento: ~45% portata controllata.
 Temperature: -10÷80 °C
 Materials: Nickel-plated brass body and connections.
 Chromium-plated brass shutter with permanent magnet.
 Nitrile rubber gaskets.

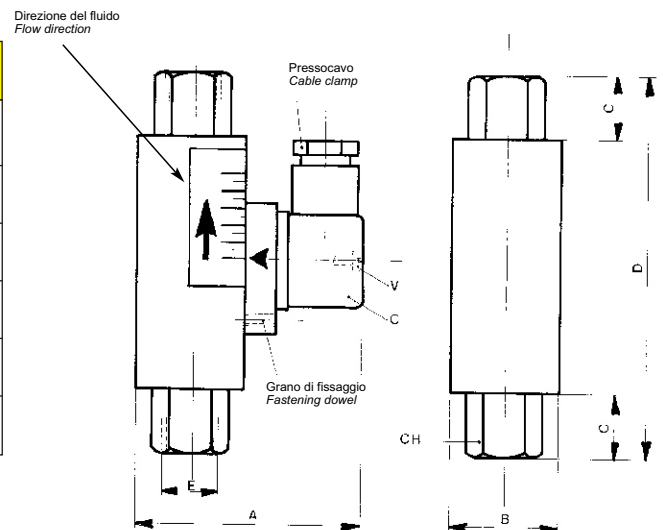
Contacts (dry condition): Single or double, NO (normally open).
 Max operating voltage: 220 V-50 Hz.
 Switching voltage: DC 20 W. AC 20 VA.
 Current intensity: DC/AC 0,5 (resistive).
 Breakdown voltage: 300 V. Insulation resistance 10¹⁰ Ohm.
 Electrical connection: 2P+G PG09. Electrical protection: IP65.
 Mounting: Vertical, fluid inlet down=>top (max inclination 15°).
 Connections: Threaded 1/8" Gas Female up to 1" Gas Female
 Weight: 215 gr up to 1570 gr



MODELS and FLOW RATES

IFE1R3 / IF2E1R3	0,3 ÷ 3 lt/min
IFE2R9 / IF2E2R9	1 ÷ 9 lt/min
IFE3R18 / IF2E3R18	2 ÷ 18 lt/min
IFE4R24 / IF2E4R24	3 ÷ 24 lt/min
IFE5R35 / IF2E5R35	6 ÷ 35 lt/min
IFE6R60 / IF2E6R60	15 ÷ 60 lt/min

Models	A (mm)	B (mm)	C (mm)	D (mm)	E (GAS)	CH
IFE1R3	60	20	13,5	89	1/8"	15
IFE2R9	62	22	13,5	93	1/4"	17
IFE3R18	64	24	15,5	104	3/8"	20
IFE4R24	68	28	18,5	115	1/2"	24
IFE5R35	72	32	22,5	132	3/4"	32
IFE6R60	85	45	24,5	157	1"	40



Models	A (mm)	B (mm)	C (mm)	D (GAS)	CH
IF2E1R3	89	20	13,5	1/8"	15
IF2E2R9	93	22	13,5	1/4"	17
IF2E3R18	104	24	15,5	3/8"	20
IF2E4R24	115	28	18,5	1/2"	24
IF2E5R35	132	32	22,5	3/4"	32
IF2E6R60	157	45	24,5	1"	40

