

FLOW METERS TYPE 6001

Air - Water - Gas - In line mounting

TECHNICAL DATA

Max. Pressure	15 bar
Max. Temperature	80 °C
Accuracy	Norme VDE/VDI 3513, classe 1,6
Read scale	1 : 10

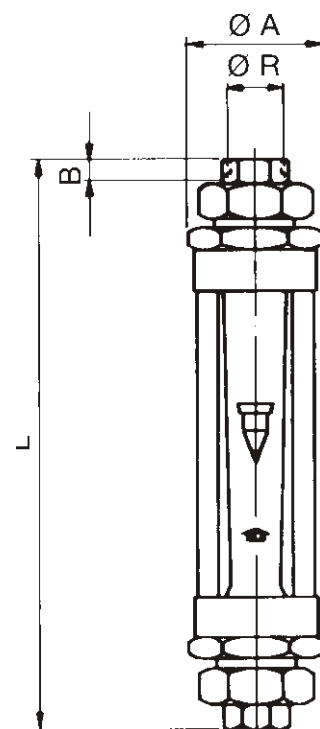
MATERIALS

Body, Threads, filler	Plastic-coated steel
Tube	Glass
Floats	AISI 316 stainless steel for water Aluminium for air/gas
Gasket	NBR
Threads	1/2" ÷ 3"
Weight	1,8 ÷ 16,5 kg

SPECIAL EXECUTION ON DEMANDS

1 or 2 Electrical contacts type AMM

R"	DN mm	A mm	B mm	L mm	Weight Kgr
1/2	15	60	15	410	1,8
3/4	20	60	15	415	2,2
1	25	75	20	425	3,3
1 1/2	40	105	20	445	5,9
2	50	120	25	460	9,6
2 1/2	65	150	25	505	12,5
3	80	150	30	510	16,5



EXPLANATION CODE

TYPE

6001 In line flow meters

FLOW RANGES

C312-0250 See left-side table

* NB when is ordered flow meter used with gases, you must indicate the working pressure in the tube. The flow meter it will always realized and setting on the supplied pressure value.

6001

RANGE	H ₂ O (+20 °C)	AIR* (+20 °C / 101,3 kPa)	MAX. PRESSURE	THREADS - DN
C311-0025	25 ÷ 250 l/h	0,04 ÷ 0,4 Nm ³ /h	15	1/2" - 15
C311-0040	4 ÷ 40 l/h	0,07 ÷ 0,7 Nm ³ /h	15	1/2" - 15
C311-0060	6 ÷ 60 l/h	0,10 ÷ 1 Nm ³ /h	15	1/2" - 15
C312-0100	10 ÷ 100 l/h	0,17 ÷ 1,7 Nm ³ /h	15	1/2" - 15
C312-0160	16 ÷ 160 l/h	0,25 ÷ 2,5 Nm ³ /h	15	3/4" - 20
C312-0250	25 ÷ 250 l/h	0,4 ÷ 4 Nm ³ /h	15	3/4" - 20
C313-0400	40 ÷ 400 l/h	0,7 ÷ 7 Nm ³ /h	15	3/4" - 20
C313-0630	60 ÷ 630 l/h	1 ÷ 10 Nm ³ /h	15	3/4" - 20
C313-1000	100 ÷ 1000 l/h	1,7 ÷ 17 Nm ³ /h	15	1" - 25
C314-1600	160 ÷ 1600 l/h	2,5 ÷ 25 Nm ³ /h	10	1 1/2" - 40
C314-2500	250 ÷ 2500 l/h	4 ÷ 40 Nm ³ /h	10	1 1/2" - 40
C315-4000	400 ÷ 4000 l/h	7 ÷ 70 Nm ³ /h	8	1 1/2" - 40
C315-6300	630 ÷ 6300 l/h	10 ÷ 100 Nm ³ /h	8	1 1/2" - 40
C316-M010	1000 ÷ 10000 l/h	17 ÷ 170 Nm ³ /h	6	2" - 50
C316-M014	2000 ÷ 14000 l/h	45 ÷ 200 Nm ³ /h	6	2" - 50
C317-M016	1600 ÷ 16000 l/h	25 ÷ 250 Nm ³ /h	5	2 1/2" - 65
C317-M020	2500 ÷ 25000 l/h	40 ÷ 400 Nm ³ /h	5	2 1/2" - 65
C317-M030	3000 ÷ 30000 l/h	50 ÷ 500 Nm ³ /h	5	3" - 80
C317-M040	6000 ÷ 40000 l/h	100 ÷ 712 Nm ³ /h	5	3" - 80