

FLOW METERS TYPE E

Air - Water - Gas - BSP 1/4" Rear threads

TECHNICAL DATA

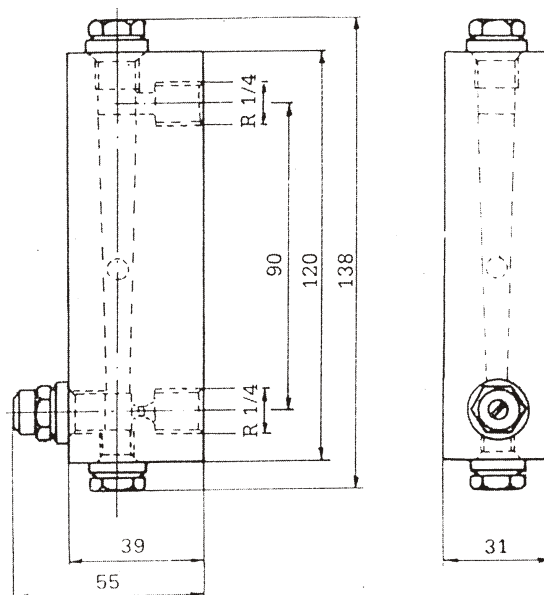
Max. Pressure	20 bar (30 bar @ 30°C)
Max temperature	75 °C
Accuracy	±5% v.f.s. (H2O a 20 °C)
Working temperature	-5 +60 °C
Threads	BSP 1/4" Back fem.
Weight	EK 170 gr EH 200 gr

MATERIALS

Body	Acrylic (PMMA)
Gasket	Standard Nitrile
Valve spindle	Viton - EPDM on demand 316 Stainless Steel

SPECIAL EXECUTIONS ON DEMAND

- calibration for non-standard gases and liquids
- Special Scale markings
- Special gasket
- Min. & Max. Flow alarm
- Multiple tubes



ORDERING CODE

E K 2N A V

TYPE E

MATERIALS H - K

RANGE	H ₂ O (+20 °C)	AIR* (+20 °C / 101,3 kPa)
2K	2 ÷ 16 ml/min	0,1 ÷ 0,8 nl/min
2L	2,5 ÷ 30 ml/min	0,1 1,2 nl/min
2M	5 ÷ 55 ml/min	0,2 ÷ 1,8 nl/min
2N	10 ÷ 80 ml/min	0,4 ÷ 2,6 nl/min
3K	0,01 ÷ 0,11 l/min	0,5 ÷ 5,5 nl/min
3L	0,02 ÷ 0,18 l/min	0,5 ÷ 7 nl/min
3M	0,025 ÷ 0,3 l/min	1 ÷ 9 nl/min
3N	0,05 ÷ 0,45 l/min	1 ÷ 12 nl/min
4B		2 ÷ 20 nl/min
4A	0,1 ÷ 1,1 l/min	2 ÷ 36 nl/min
5E	0,2 ÷ 1,6 l/min	7,5 ÷ 45 nl/min
5C	0,4 ÷ 2,4 l/min	
5S		5 ÷ 70 nl/min
5F		10 ÷ 90 nl/min

SCALE A - R

OPTIONS A - R

EXPLANATION CODE

TYPE

E BSP 1/4" Flow meters, rear threads

MATERIALS

K Nylon valve housing

H 316 St. Steel valve housing

FLOW RANGES

See left-side table

SCALES

A H₂O l/1'

R Air Nit/1' @ 101,0 kPa a 20 °C

OPTIONS

H handle adjusting knob

V Viton gasket

* NB when is ordered flow meter used with gases, you must indicate the working pressure in the tube. The flow meter it will always realized and setting on the supplied pressure value.