

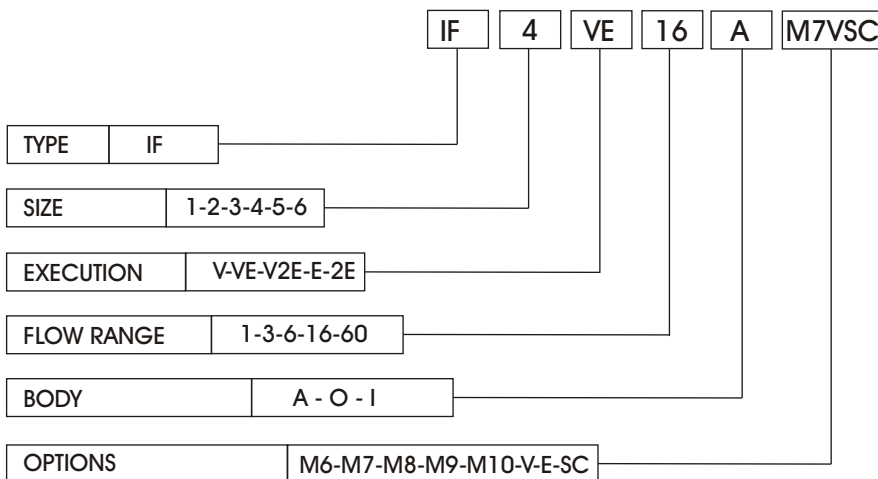
FLOW METERS and FLOW INDICATORS TYPE IF

Air, gas, water, oil, viscose fluids - Vertical fastening - Fluid inlet Down⇒Top

TECHNICAL DATA

Fluids	Air, gas, water, oil, viscose fluids
Max. Pressure	15 bar visual indicators, 150 bar electrical version
Temperature	-10 ÷ 100 °C (130 °C Viton gasket)
Contact	Normally Open (without fluid), SPDT on request
Electrical protection	IP 65 with Pg9 DIN 43650 Connector
Max. Voltage	220 V 50 Hz
Threads	1/4" Gas Female to 1"½ Gas Female
Weigh	650 to 2500 gr
Mounting	Vertical fastening, fluid inlet down⇒top

ORDERING CODE



Model	A (mm)	B (mm)	C (mm)
IF1...	136	40	1/4" G
IF2...	136	40	1/4" G
IF3...	136	40	1/4" G
IF4...	163	40	1/2" G
IF5...	190	50	1" G
IF6...	200	70	1" 1/2 G

EXPLANATION CODE

TYPE

IF In line Flow indicators and Flow meters, electric switches

EXECUTION

V Visual
 VE Visual + 1 N.O. Switches
 V2E Visual + 2 N.O. Switches
 E N.O. Electrical switches
 2E 2 N.O. Electrical switches

H₂O FLOWS

1 0,1 ÷ 1 lt/min
 3 0,2 ÷ 3 lt/min
 6 1 ÷ 6 lt/min
 16 2 ÷ 16 lt/min
 60 5 ÷ 60 lt/min
 140 40 ÷ 140 lt/min (versione E - DE)

ARIA FLOWS (atmospheric pressure)

1 0,2 ÷ 2 Nm₃/h
 3 0,35 ÷ 5 Nm₃/h
 6 2 ÷ 10 Nm₃/h
 16 3,5 ÷ 29 Nm₃/h
 60 10 ÷ 110 Nm₃/h

BODY MATERIAL

A Anodized aluminium
 O Nickel plated brass
 I AISI 304 stainless steel

OPTION

M6 Viscosity spring up to 14,4 Cst.
 M7 Viscosity spring up to 39,8 Cst.
 M8 Viscosity spring up to 70,4 Cst.
 M9 Viscosity spring up to 119 Cst.
 M10 Viscosity spring up to 205,6 Cst.
 V Viton gasket
 E EPDM gasket
 SC SPDT switches

