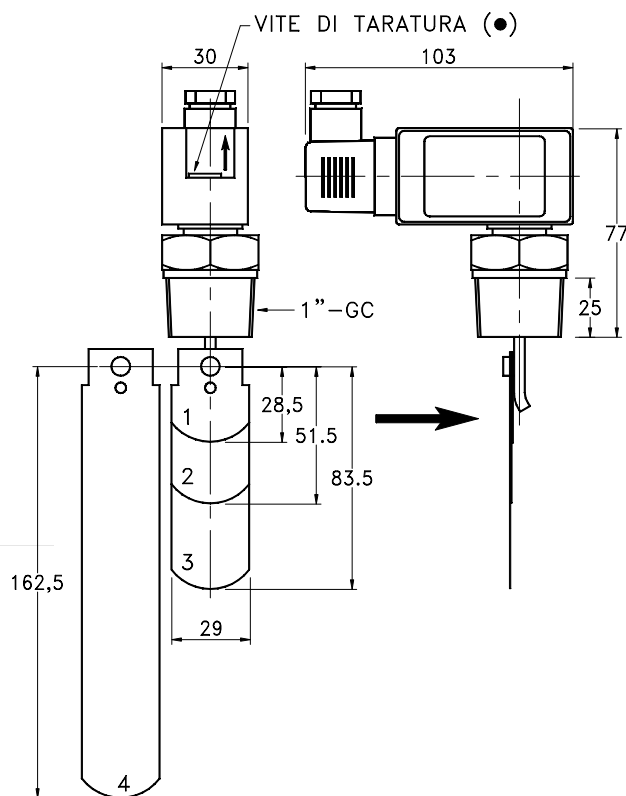


PADDLE FLOW SWITCH TYPE CM2K

Water - Clean fluids - In line Mounting - For Pipe to 1" ÷ 8" - Threads 3/8" ÷ 1"

TECHNICAL DATA

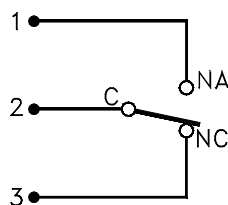
Temperature	Max fluid 110 °C
Pressure	Max 25 bar
Pressure loss	0,15 bar at Q. max value
Accuracy	±15% F.S.
Threads	Process 1" Gas Male
Mounting	Pipes to Dn25 ÷ 200 mm
Materials	ABS Contact box, Nickel plated brass body or Stainless steel AISI 316 S.S. AISI 316L Paddle
Contact	1 SPDT
Current	5 A @ 250 Vac
Max Voltage	250 Vac
Protection	IP 65 with DIN 43650 connector
Weight	350 gr



ADJUSTABLE RANGES

DN	Q max.	Adjustable ranges m ³ /h H ₂ O	Paddle N.	Cut as per
25	3,6	0,5 ÷ 0,9	1	Tab.1
32	6	1 ÷ 1,9	1	-
40	9	1,6 ÷ 2,8	1+2	Tab.1
50	15	1,1 ÷ 2,2	1+2+3	Tab.1
65	24	2,3 ÷ 4,3	1+2+3	Tab.1
80	36	3,3 ÷ 5,3	1+2+3	-
100	60	14 ÷ 17,5	1+2+3	-
		3,8 ÷ 6,7	1+2+3+4	Tab.2
150	120	31 ÷ 40	1+2+3	-
		8,6 ÷ 15	1+2+3+4	Tab.2
200	240	55 ÷ 71	1+2+3	-
		16 ÷ 27	1+2+3+4	Tab.2

WIRING and SETTING



Set point adjustment (•).
Lift the safety cover on the switch head
and turn clockwise the adjusting screw
to increase the switch point.

Paddle 1 DN25
Paddle 2 DN50
Paddle 3 DN80
Paddle 4 DN100 cut @ 92 mm
DN125 cut @ 117 mm
DN150 cut @ 143 mm
≥ DN175 palette 4

NOMENCLATURE and MATERIALS

TYPE	CM2K - 025HM	CM2K - 025HK
Body	Nickel plated brass	St. steel 1.4571
	St. steel 1.4301	St. steel 1.4301
Paddle	St. steel 1.4571	St. steel 1.4571
	Brass MS58	St. steel 1.4305
Bellow protection	NBR	NBR
Spring	St. steel 1.4301	St. steel 1.4301
Magnet	Oxide 300	Oxide 300

