

# LEVEL SWITCHES ON/OFF TYPE LEM5/6...A

G1/4" Thread LEM5, G 1/8" Thread LEM6 - Nylon / Inox materials - N.C. - SPDT Contact

## TECHNICAL STANDARD SPECIFICATIONS

Fluid viscosity	150 cSt
Max pressure	5 bar
Working Temperature	-10...+80 °C
Mounting	Vertical
Max inclination	15 °
Commutated power CC	60 W (NC), 30 W (SPDT)
Commutated power CA	60 VA
Max Voltage	~220 V 50 Hz
Resistive max current	0,8 A (NC), 0,5 A (SPDT)
A protection circuit or relay is to be used for electrical inductive load	
Contact	NC, SPDT
Open contact capacity	0,6 pF (NC), 2 pF (SPDT)
Contact insulation resistance	10 <sup>10</sup> ohm (N)C, 10 <sup>7</sup> ohm (SPDT)
Protection	IP 00, 500 mm electric cable

## ORDERING CODE

LEM	5	LA	SC
TYPE			
LEM			
DIMENSION			
5 - 6			
LENGHT			
82 - 146 - 65 - 130			
CONTACTS			
C - SC			

## MATERIALS

Threaded tube	Atoxic white nylon
Galleggianti	316 Stainless Steel

## EXPLANATION CODE

### TYPE

LEM Miniature level switches

### DIMENSIONS

5	Shaft Ø 10,5 mm, Thread G 1/4" M.
6	Shaft Ø 8,5 mm, Thread G 1/8" M.

### LENGHT "A"

LEM5 CA/CASC	82 mm
LEM5 LA/LASC	146 mm
LEM5 MA	146 mm
LEM6 CA/CASC	65 mm
LEM6 LA/LASC	130 mm

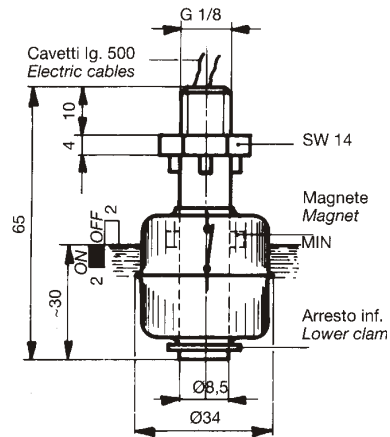
### CONTACT

C	Normally Closed
SC	SPDT

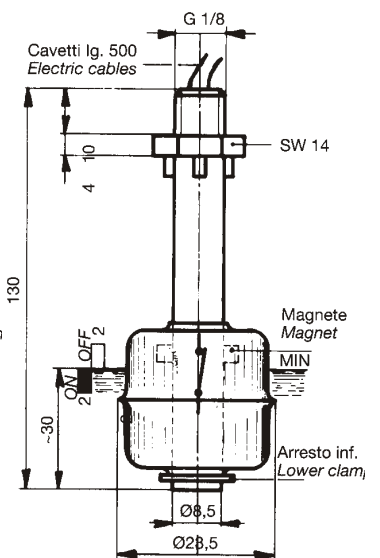
### OPTIONS

S	Silicone cable L= 500 mm
---	--------------------------

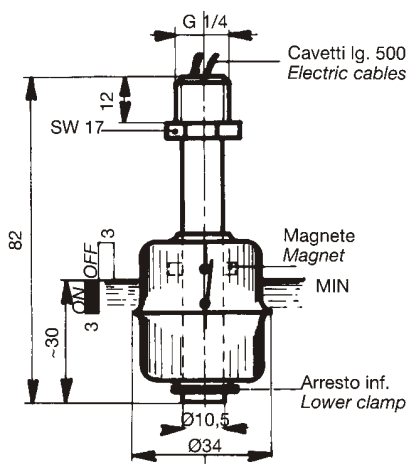
## LEM6CN/CNSC



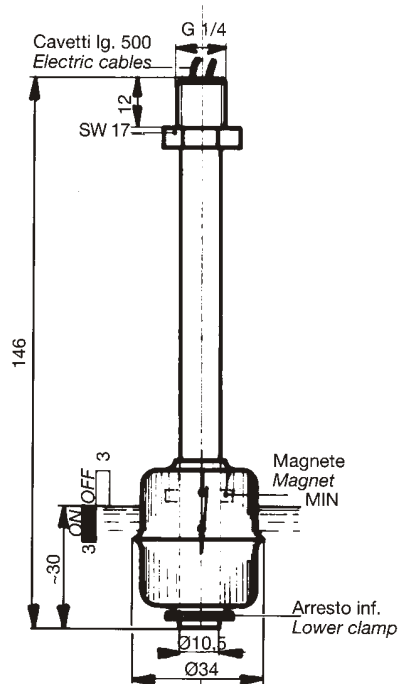
## LEM6LN/LNSC



## LEM5CA/CASC



## LEM5LA/LASC



## LEM5MA

