

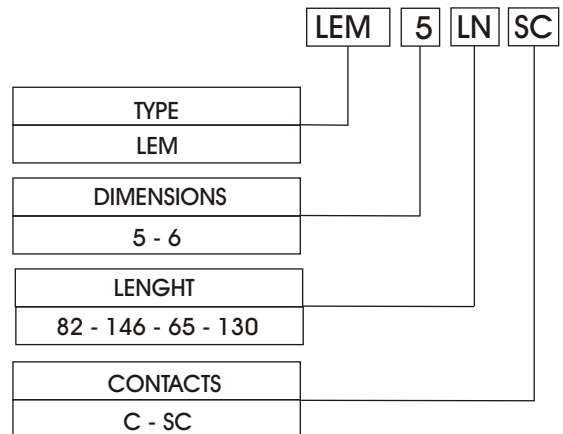
# LEVEL SWITCHES ON/OFF TYPE LEM5/6

Threads G1/4" LEM5, G 1/8" LEM6 - Nylon / NBR Materials - N.C. - SPDT Contact

## TECHNICAL STANDARD SPECIFICATIONS

Fluid viscosity	150 cSt
Max pressure	5 bar
Working Temperature	-10...+80 °C
Mounting	Vertical
Max inclination	15 °
Commutated power CC	60 W (NC), 30 W (SPDT)
Commutated power CA	60 VA
Max Voltage	~220 V 50 Hz
Resistive max current	0,8 A (NC), 0,5 A (SPDT)
A protection circuit or relay is to be used for electrical inductive load	
Contact	NC, SPDT
Open contact capacity	0,6 pF (NC), 2 pF (SPDT)
Contact insulation resistance	10 <sup>10</sup> ohm (NC), 10 <sup>7</sup> ohm (SPDT)
Protection	IP 00, 500 mm electric cable

## ORDERING CODE



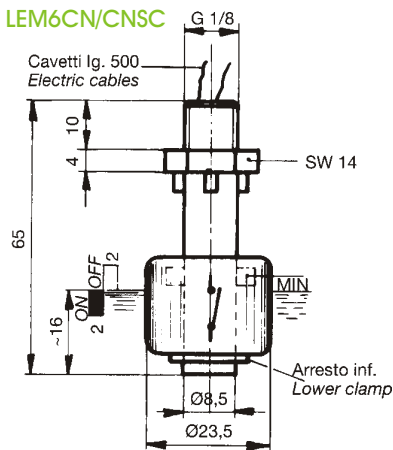
## MATERIALS

Threaded tube	Compact Nylon black
Float	NBR expanded resin

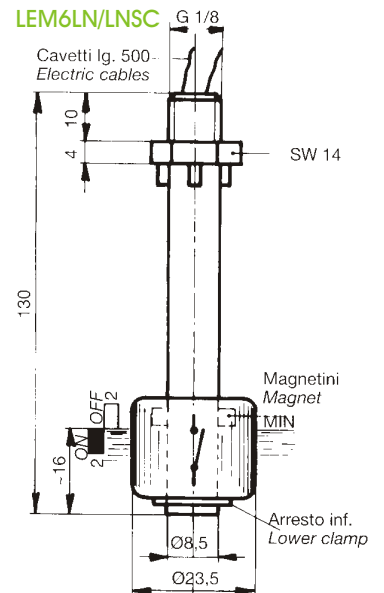
## CODE EXPLANATION

<b>TYPE</b>	
LEM	Miniature level switches
<b>DIMENSIONS</b>	
5	Shaft Ø 10,5 mm, Thread G 1/4" M.
6	Shaft Ø 8,5 mm, Thread G 1/8" M.
<b>LENGHT "A"</b>	
LEM5 CN	82 mm
LEM5 LN/M	146 mm
LEM6 CN	65 mm
LEM6 LN	130 mm
<b>CONTACT</b>	
C	Normally Closed
SC	SPDT
<b>OPTIONS</b>	
S	Silicone cable L= 500 mm

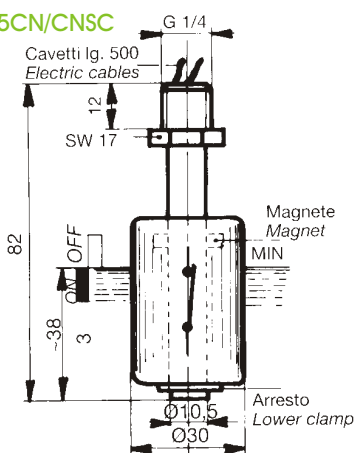
### LEM6CN/CNSC



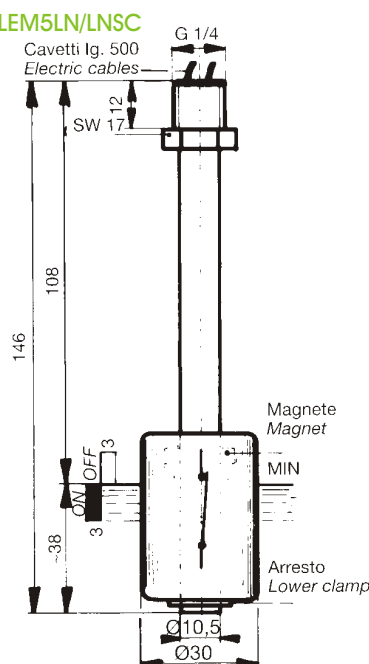
### LEM6LN/LNSC



### LEM5CN/CNSC



### LEM5LN/LNSC



### LEM5M

