

# LEVEL SWITCHES ON/OFF SET TO BE COMPLETED TYPE LM...B/BF

M18x1,5 Thread & Flange - Brass/NBR materials - N.C. (Reversible) - SPDT Contact

## TECHNICAL DATA STANDARD EXECUTION

Fluido viscosity	150 cSt
Max pressure	10 bar
Working temperature	-10...+80 °C
Mounting	Verticale
Max inclination	15 °
Commutated power CC	60 W NC, 30 W SPDT
Commutated power CA	60 VA
Max Voltage	~220 V 50 Hz
Resistive max current	0,8 A (NC), 0,5 A (SPDT)
A protection circuit or relay is to be used for electrical inductive load	
Contact	NC, SPDT
Open contact capacity	0,6 pF (NO-NC), 2 pF (SPDT)
Contact insulation resistance	10 <sup>10</sup> ohm (NO-NC), 10 <sup>9</sup> ohm (SPDT)
Protection	IP 65, PG 9 Connector DIN 43650

## MATERIALS

Flange	Anodized Aluminium
Spring and stop rings	Bronze
Floats	NBR expanded resin
Float (to get separately)	Brass $\varnothing$ 8 mm

## ORDERING CODE

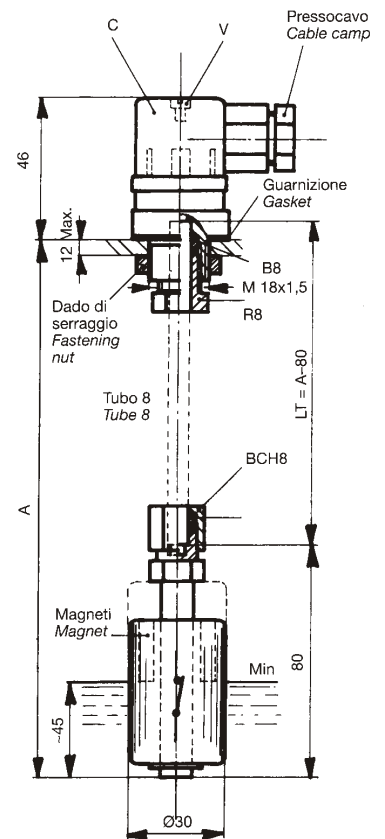
LM 1 B

TYPE	LM
CONTACTS	1 - 2
THREADS	B - BF

## EXPLANATION CODE

<b>TYPE</b>	
LM	Level switches, Minimum
<b>CONTACTS</b>	
1	NC reversible
2	SPDT
<b>TREADS</b>	
B	M18 x 1,5
F	Flange $\varnothing$ 52 mm
<b>LENGHT</b>	
For a correct operation, fasten carefully the BCH8 and the R8 pipe fitting to obtain a firm seal of the $\varnothing$ 6x8 brass pipe and to avoid oil leakage in the level indicator thus affecting its working	

## LM1/2B



## LM1/2BF

