

LEVEL SWITCHES ON/OFF TYPE LM/LMM...FPA

Flanged Thread - Thermoplastic/Brass/NBR Materials - N.O. - N.C. (Reversible) - SPDT Contacts

TECHNICAL DATA STANDARD EXECUTION

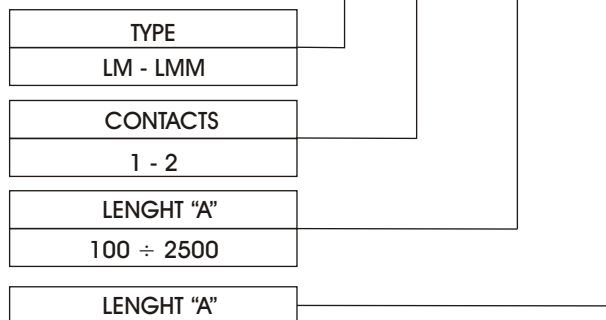
Fluido viscosity	150 cSt
Max pressure	10 bar
Working temperature	-10...+80 °C
Mounting	Verticale
Max inclination	15 °
Commutated power CC	60 W (NO-NC), 30 W (SPDT)
Commutated power CA	60 VA
Max Voltage	~220 V 50 Hz
Resistive max current	0,8 A (NO-NC), 0,5 A (SPDT)
A protection circuit or relay is to be used for electrical inductive load	
Contact	NO-NC, SPDT
Open contact capacity	0,6 pF (NO-NC), 2 pF (SPDT)
Contact insulation resistance	10 ¹⁰ ohm (NO-NC), 10 ⁹ ohm (SPDT)
Protection	IP 65, PG 9 Connector DIN 43650

MATERIALS

Flange	Thermoplastic
Shaft	Brass
Spring & ring stop	Bronze
Floats	NBR expanded resin

ORDERING CODE

LMM 1 FPA400 B70

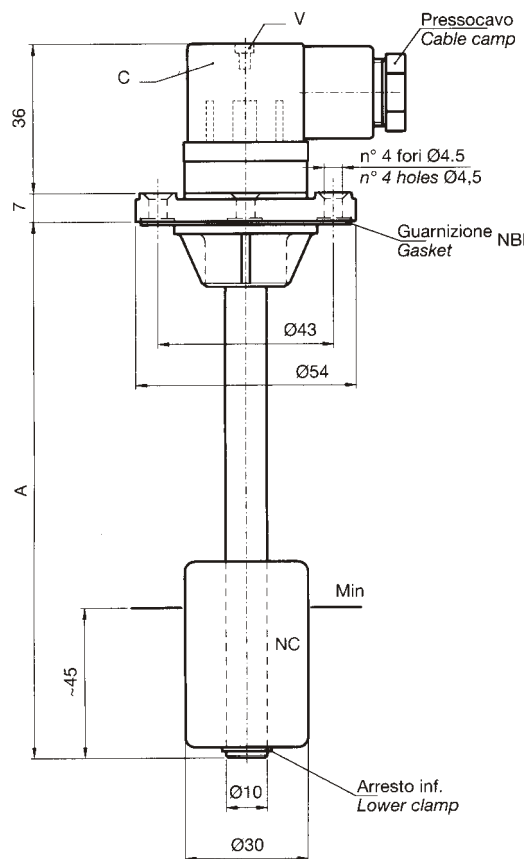


EXPLANATION CODE

TYPE	
LM	Level switches Minimum (LM) - Minimum/maximum (LMM)
CONTACTS	
1	NC (standard), NO (on request) Reversible
2	SPDT
THREADS	Flange ø 54
LENGHT "A"	
A	100 mm, minimum quote for Minimum level model only 200 mm minimum quote for Minimum/maximum model 2500 mm maximum quote for every model Standard Lenght for all model up to 500 mm with distance of 50 mm. For different dimensions put the interested quoteb after "A"
LENGHT "B"	
B	Referred to maximum contact quote for LMM model Standard 60 mm for A 200, 250, 300, 350. 70 mm for A 400, 450. 80 mm for A 500 and upper

On request different lenght from those indicated in the reference table can be su

LM1/2FPA...



LMM1/2FPA...

