

# LEVEL SWITCHES ON/OFF TYPE LM...GTIA...

Thread G2" Male - Stainless Steel material - N.O. - N.C. (Not Reversible), SPDT Contacts

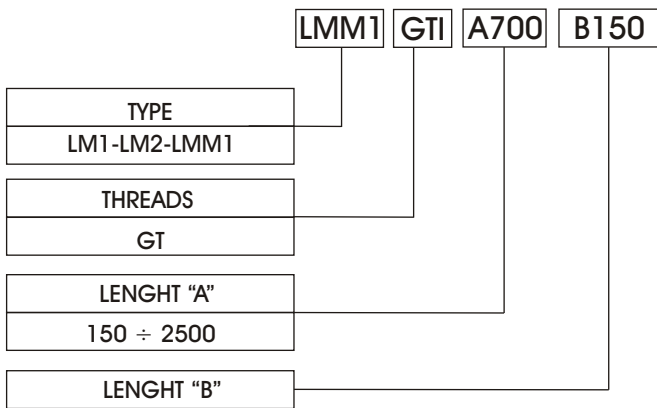
## TECHNICAL DATA STANDARD EXECUTION

Fluido viscosity	150 cSt
Max pressure	10 bar
Working temperature	-10...+80 °C
Mounting	Verticale
Max inclination	15 °
Commutated power CC	60 W (NO-NC), 30 W (SPDT)
Commutated power CA	60 VA
Max Voltage	~220 V 50 Hz
Resistive max current	0,8 A (NO-NC), 0,5 A (SPDT)
A protection circuit or relay is to be used for electrical inductive load	
Contact	NC (LM1), SPDT (LM2), NO, NC (LMM1)
Open contact capacity	0,6 pF (NO-NC), 2 pF (SPDT)
Contact insulation resistance	10 <sup>10</sup> ohm (NO-NC), 10 <sup>9</sup> ohm (SPDT)
Protection	IP 65, PG 9 Connector DIN 43650

## MATERIALS

Flange, shaft, Stop ring	Stainless Steel
Floats	Stainless Steel

## ORDERING CODE



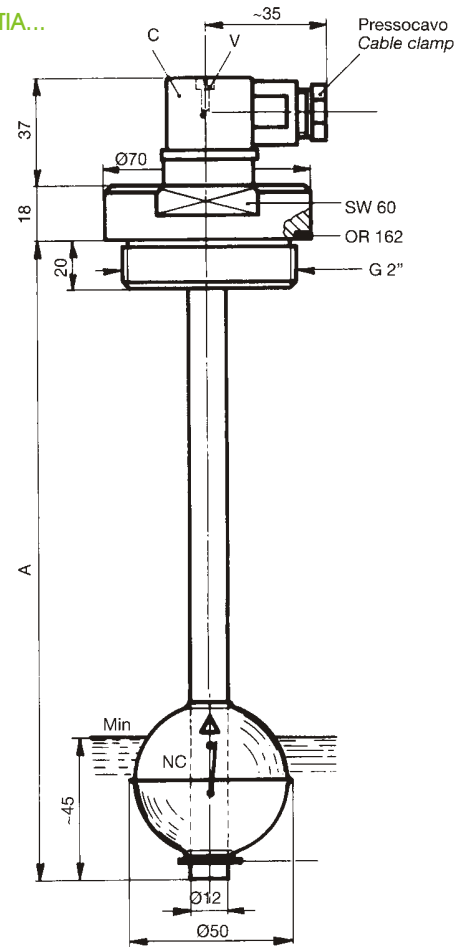
## EXPLANATION CODE

<b>TYPE</b>	
LM1	Level switches Minimum (LM), Minimum - Maximum (LMM)
<b>CONTACTS</b>	
1-2	NC (standard), NA (on demand) not reversible, SPDT (LM2)
<b>THREAD</b>	
GT	Thread 2" Male
<b>LENGHT "A"</b>	
A	150 mm, minimum quote only for minimum version, 2500 mm maximum quote for both versions. For both versions standard lenght up to 500 mm with 50 mm intervals. For different dimensions put the interested quote after A.
<b>LENGHT "B"</b>	
B	Related to maximum contact for LMM... version Standard 50 mm for A 150 mm. 60 mm for A 200, 250, 300, 350 mm. 70 mm for A 400, 450 mm. 80 mm for A 500 and upper On request is possible to supply different quote to the standard, showing the quote in the code after B, but never below 50 mm.

## OPTIONS

BT	Teflon for hight temperature sideboard
S	Hight temperature Silicon cable

## LM1/2GTIA...



## LMM1GTIA...

