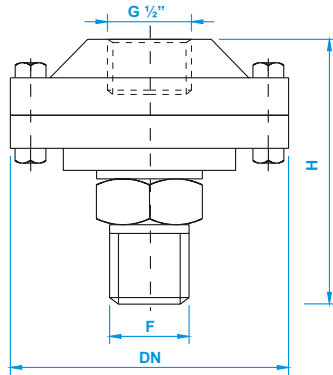


FLUID SEAL TYPE SP

Materials Stainless Steel AISI304, AISI316, Hastelloy C - Max pressure 1000 bar -Connections Threaded, Flanged, Sanitary

SP1

DIAPHRAGM SEAL WITH THREADED CONNECTION



Range [bar]	DN [mm]	H [mm]
0 / 1 - 0 / 1,6	95	77
0 / 2,5 - 0 / 4 - 0 / 6 - 0 / 10 - 0 / 16 0 / 25 - 0 / 40 - 0 / 60 - 0 / 100	74	70
0 / 160 - 0 / 400 - 0/600	74	80
0 / 1000	90	83

INSTRUMENT CONNECTION: G1/2" A UNI ISO 228/1 Female.

PROCESS CONNECTION: G1/2" A UNI ISO 228/1

MATERIALS: Diaphragm and inferior body in ss. AISI 316
Other: stainless steel AISI 304

OPTIONS

REMOTE EXECUTION

capillary in AISI 316 with or without armour (max. 6 - 8 meters)

EXAMINABLE EXECUTION for a quick cleanig of the diaphragm.

INSTRUMENT CONNECTION: G 1/4" - 1/4" NPT - G 3/8" Female

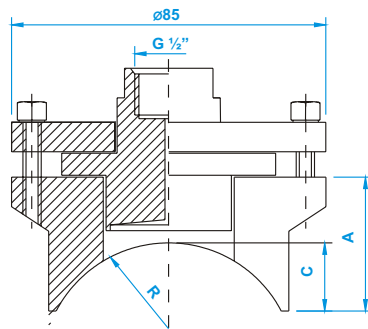
PROCESS CONNECTION: G 1/2" rotating male - 1/2" NPT

TEFLON COATING of wetted parts.

DIAPHRAGM and inferior body in HASTELLOY C

SP2

DIAPHRAGM SEAL FOR PIPES



Dimension [mm]				
DN		A	C	R
50	2"	35	16	30
65	2 1/2"	33	14	36,5
80	3"	30	11	44,5
100	4"	27	8	57
125	5"	26	6	71
150	6"	26	5,5	84,5
200	8"	25	5	110

RANGES

[bar] 0 / 4 0 / 6 0 / 10 0 / 16 0 / 25 0 / 40 0 / 60 0 / 100 0 / 160 0 / 250

INSTRUMENT CONNECTION: G1/2" A UNI ISO 228/1 Female

PROCESS CONNECTION: Saddle flange to weld on process line

MATERIASI Diaphragm and inferior body in ss. AISI 316
Other: stainless steel AISI 304

OPZIONI

REMOTE EXECUTION

Capillary in AISI 316 with or without armour (max. 6 - 8 meters)

INSTRUMENT CONNECTION: G 1/4" - 1/4" NPT - G 3/8" Female.

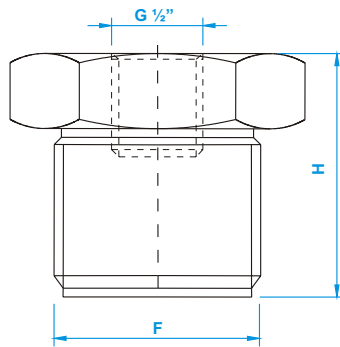
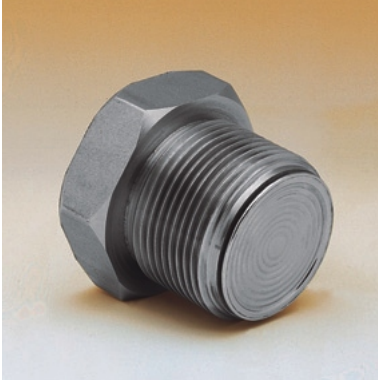
DIAPHRAGM and inferior body in HASTELLOY C

FLUID SEAL TYPE SP

Materials Stainless Steel AISI304, AISI316, Hastelloy C - Max pressure 1000 bar -Connections Threaded, Flanged, Sanitary

SP5

SEAL WITH FLUSH DIAPHRAGM



RANGES [bar]			F	H
0/25	0/40	0/60	1"	44
0/100	0/160	0/250		
0/6	0/10	0/16	$\text{C}\text{O} \frac{1}{4}$	50
0/25	0/40	0/60		
0/100	0/160	0/250	1"1/2	

INSTRUMENT CONNECTION: G 1/2" A UNI ISO 228/1 Female.

PROCESS CONNECTION: G 1 1/4" o G 1 1/2" A UNI ISO 228/1.

MATERIAL: Diaphragm and body in ss. AISI 316.

OPTIONS

REMOTE EXECUTION

capillary in AISI 316 with or without armour (max. 6 – 8 meters).

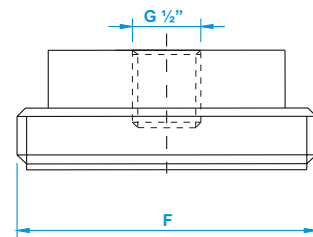
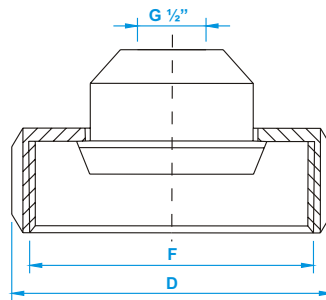
PROCESS CONNECTION: G 1 1/2" rotating male (max 600 bar).

INSTRUMENT CONNECTION: G 1/4" – 1/4" NPT – G 3/8" Female.

DIAPHRAGM and body in HASTELLOY C.

SP6

SEAL WITH SANITARY CONNECTION



INSTRUMENT CONNECTION: G 1/2" A UNI ISO 228/1 Female

PROCESS CONNECTION: sanitary type male or female thread according to DIN 11851 and SMS.

MATERIALS Diaphragm and body in ss. AISI 316

OPTIONS

INSTRUMENT CONNECTION: G 1/4" – 1/4" NPT – G 3/8" Female

COUPLING NUT				
DN	PN	DIMENSION (mm)		
		Range [bar]	F	D
25	40	0 / 10 - 0 / 16 - 0 / 25 - 0 / 40	Rd52 x 1/6	63
32	40	0 / 4 - 0 / 6 - 0 / 10 - 0 / 16 - 0 / 25 - 0 / 40	Rd58 x 1/6	70
40	40	0 / 4 - 0 / 6 - 0 / 10 - 0 / 16 - 0 / 25 - 0 / 40	Rd58 x 1/6	78
50	40	0 / 1 - 0 / 1,6 - 0 / 2,5 - 0 / 4 - 0 / 6 0 / 10 - 0 / 16 - 0 / 25 - 0 / 40	Rd58 x 1/6	112

MALE THREAD			
DN	PN	DIMENSION (mm)	
		Range [bar]	F
38	40	0 / 4 - 0 / 6 - 0 / 10 - 0 / 16 - 0 / 25 0 / 40	Rd 60x1/6
51	40	0 / 2,5 - 0 / 4 - 0 / 6 - 0 / 10 - 0 / 16 0 / 25 - 0 / 40	Rd 60x1/6