

SCREW PUMPS TYPE SMT

Dry & submersible screw pumps for industrial applications - Working pressure 80 bar continuous

Series SMT



80 bar program

SCREW PUMPS TYPE SMT

Dry & submersible screw pumps for industrial applications - Working pressure 80 bar continuous

CHARACTERISTICS

The screw pumps are reliable, low noise and low cost; run without pulsation and guarantee a long life to your application.



USES

The screw pumps coupled together with external or immersed motors run quietly and without pulsation. Are used in hydraulic application and systems of every kind.

OPERATIONS

The screw pumps are positive displacement rotary pump with axial flow design. There are only three moving parts. The power rotor is the only driven part that extends outside the case. The idler screws actually act as sealing parts and are turned hydraulically by the fluid being pumped. There is only a rolling action between the drive screw and the idler ones. The rolling action eliminates noise and vibration.

TYPICAL APPLICATIONS

- Lube services (diesel engines, turbines, compressors, gears & gear boxes)
- Seal oil services (compressors, generators)
- Power Hydraulics (presses, machine tools, working machines rolling mill, injection moulding machines, dumping equipment, elevators, variable pitch propellers, hydraulic winches)
- Various & special applications for industrial and marine uses
- Cooling
- Transfer services
- Hydraulic governors
- Food (chocolate, syrups, vegetal oils)
- Refinery & petrol chemical services
- Fuel oil burners

SCREW PUMPS TYPE SMT

Dry & submersible screw pumps for industrial applications - Working pressure 80 bar continuous

Detailed technical information

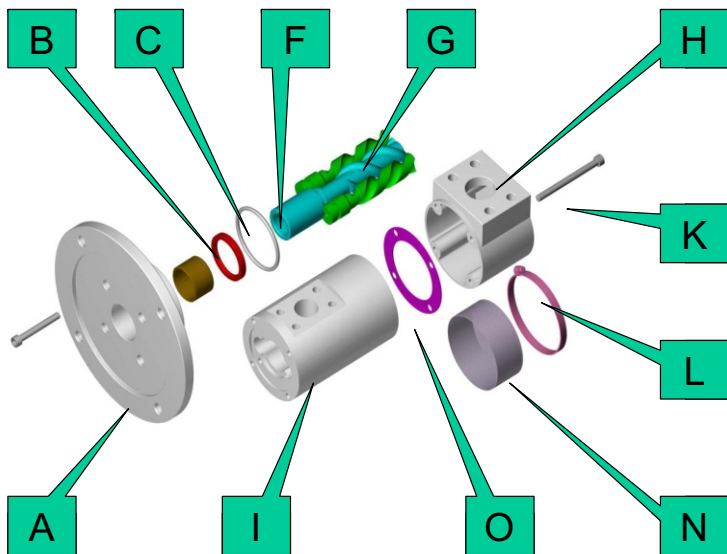
<i>Types</i>	Dry (SMT) or submersible (SMIT)
<i>Flanges</i>	ISO 3019/2
<i>Connections</i>	SAE 3000
<i>Installation position</i>	free for SMT submerged (totally or partially) for SMIT
<i>Drive loading</i>	No axial or radial loads
<i>Shaft rotation</i>	clockwise viewed at the shaft end
<i>Shaft speed</i>	From 500 to 3.600 rpm
<i>Model available</i>	20 – 32 – 40 – 45 – 55 – 60 – 70 – 80
<i>Flows</i>	From 8 up to 1.200 Lt/min (at 2.750 rpm)
<i>Outlet pressure</i>	80 bar continuous – 120 bar intermittent
<i>Inlet pressure</i>	Min. -0,7 / max. 3 bar
<i>Fluids</i>	mineral oil HLP e HLVP ecologic fluids HETG-HEPG-HEE synthetic fluid or emulsion: HFA oil-water emulsion -oil minimum 5% HFB water-oil emulsion ≥40% HFC water/glycole □ water max 35 to 55% HFDR phosphate ester Lubrication oils high viscosity Special synthetic fluid : MIL-H, SKYDROL, special on request
<i>Viscosity</i>	from 4 up to 2.000 mm ² /s
<i>Seals</i>	NBR, VITON, FPM, EPDM □ Special on request
<i>Noise</i>	from 52 up to 68 dB(A) at 2.750 rpm Value based on ISO 4412 test procedure
<i>Pump body (standard)</i>	extruded aluminium alloy
<i>Pump body (special application)</i>	cast iron, carbon steel
<i>Screw</i>	steel for primary screw , cast iron for secondary screw
<i>Environment temperature</i>	From -20° up to +60°C
<i>Hydraulic temperature</i>	From -20° up to +180°C
<i>Filtration</i>	permissible degree of fluid contamination NAS to 1638 class 10 or ISO DIS 4406 □ 19/16 Recommended filtration □ 25 ≥75
<i>Maintenance</i>	No

SCREW PUMPS TYPE SMT

Dry & submersible screw pumps for industrial applications - Working pressure 80 bar continuous

Component description

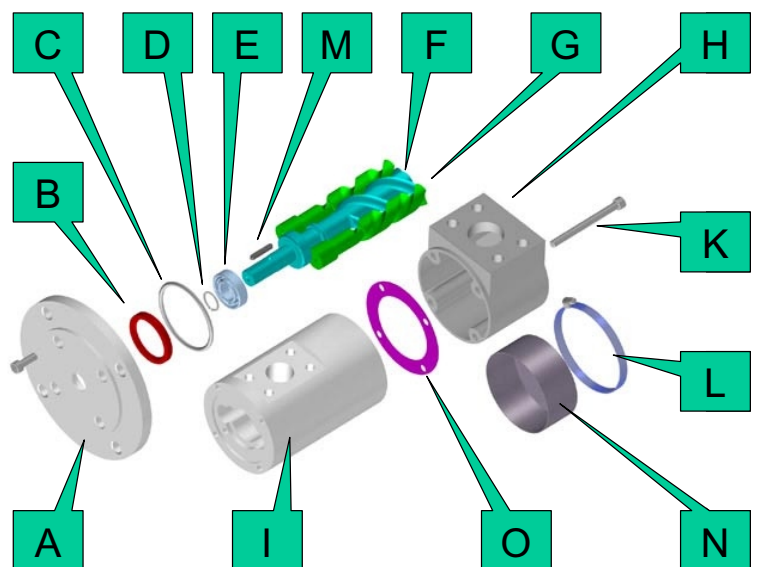
Hollow shaft pump (series SMxT16B only)



A	Mounting flange
B	Seals
C	O-ring seals
D	Seeger
E	Ball bearing (only for male shaft)
F	Main screw
G	Idler screw

Normal shaft pump

H	Suction cover (only for dry pump)
I	Body
K	TCEI screws
M	Key
N	Filter (only for submersible pump)
O	Plane gasket
L	Hose clamp

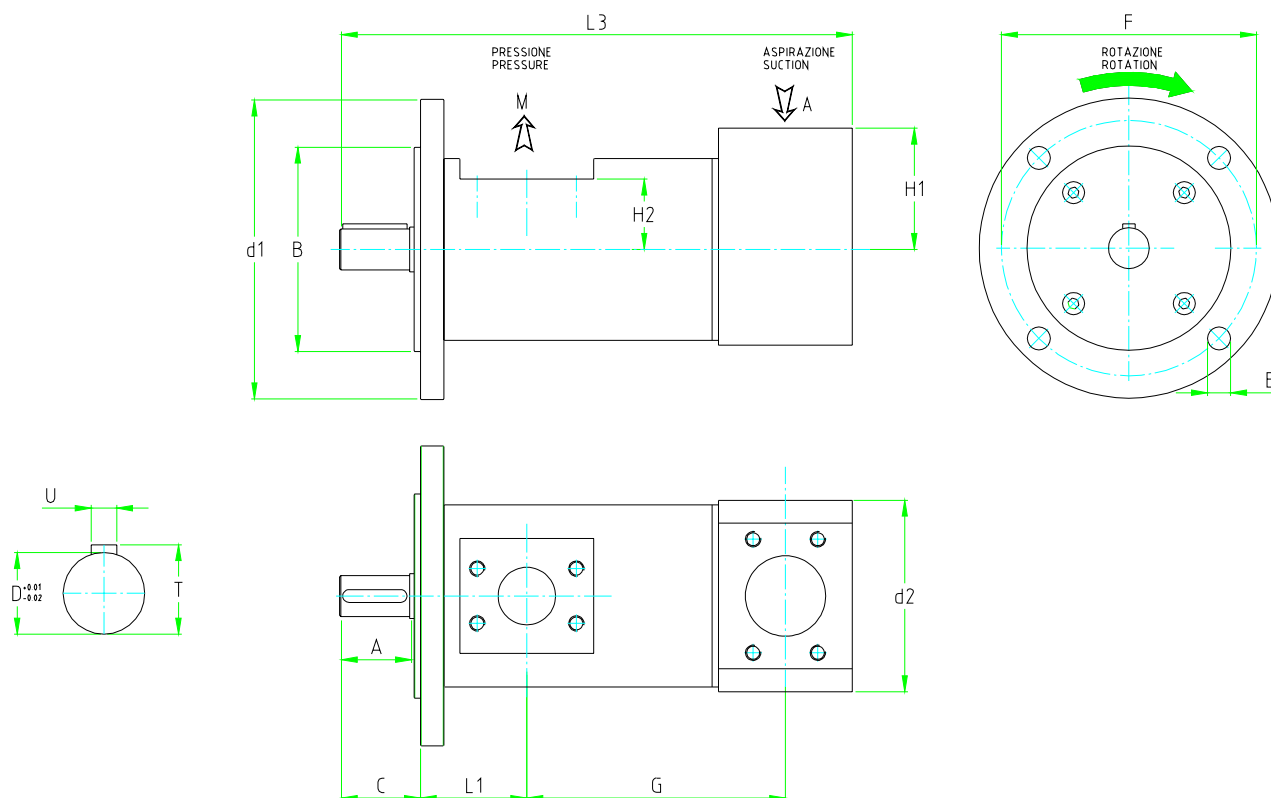


SCREW PUMPS TYPE SMT

Dry & submersible screw pumps for industrial applications - Working pressure 80 bar continuous

Dimensional drawing – series SMT

Drv screw numn



TIPO TYPE	Flange				Shaft				Suction		Discharge		Pump					
	B	E	F	d1	A	D	T	U	Ø _A	H1	Ø _M	H2	C	d2	L3	L1	G	Kg
GR 20 8-12-15-20L	80	11	103	125	31	14	16	5	1/2" GAS	25	3/4" GAS	25	41	65	250	60	127	1,5
GR 32 35-45-55-75L	100	11	125	150	36	19	21,5	6	1 1/4" SAE	54,5	1" SAE	41	42	95,5	340	74	182	6,5
GR 40 100-125-150L	125	14	160	188	36	19	21,5	6	1 1/2" SAE	65	1 1/4" SAE	46,5	46	112	394	80	220	10,8
GR 45 180-210L	125	14	160	188	55	32	35	10	2" SAE	83,5	1 1/2" SAE	51,5	64,5	126,5	437	95	235	15
GR 55 250-300-330-380L	160	18	200	235	55	32	35	10	2 1/2" SAE	94	2" SAE	54	64,5	148,5	517	103	286	23,5
GR 60 440-500L	160	18	200	235	55	32	35	10	3" SAE	105	2 1/2" SAE	63,5	66	160	560	112	320	30
GR 70 600-660-800L	200	22	250	300	55	32	35	10	3 1/2" SAE	110	3" SAE	83	67	181	652	122	405	44
GR 80 1000-1200L	200	22	250	300	60	38	41	10	4" SAE	125	3" SAE	83	76	212	768	159	460	59

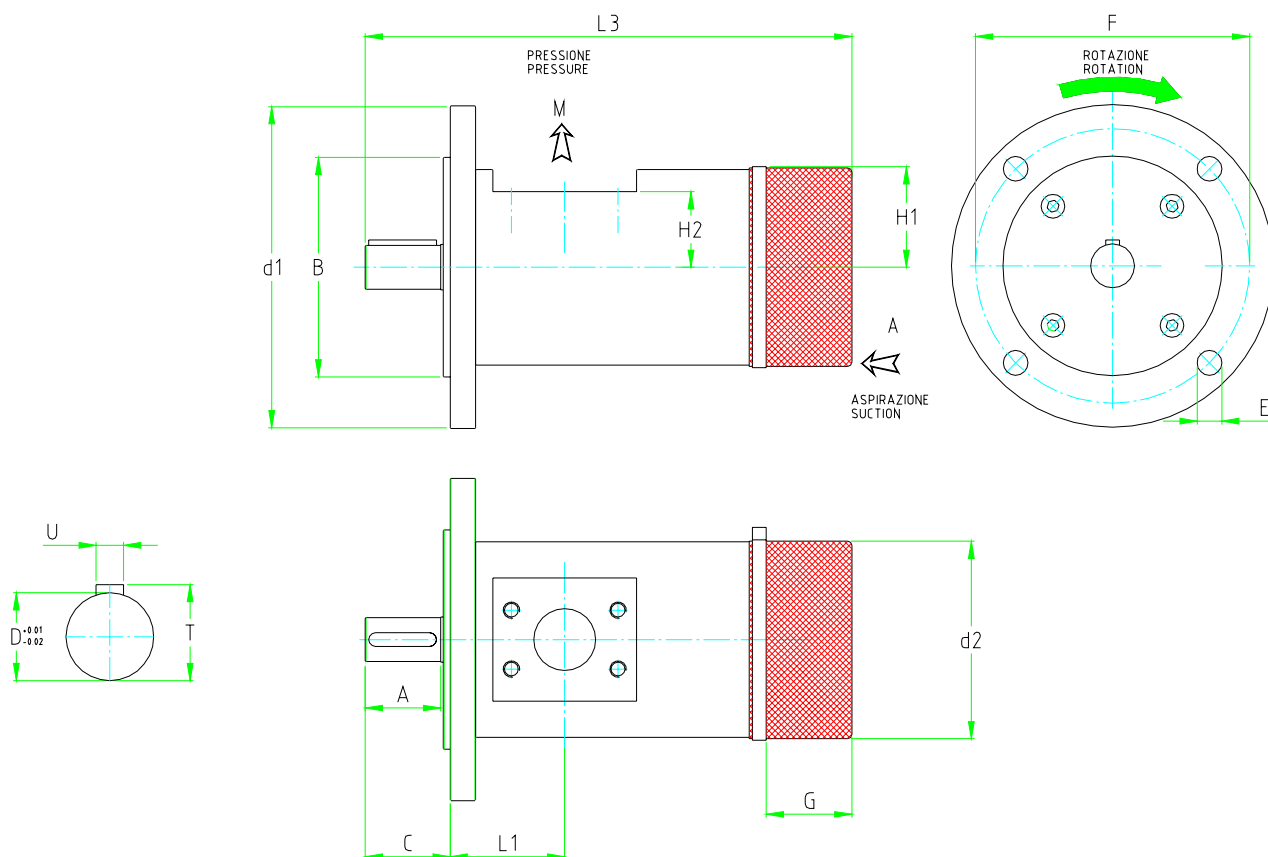
The data shown in the catalogue can change without notice.
For special applications – please contact the main office.

SCREW PUMPS TYPE SMT

Dry & submersible screw pumps for industrial applications - Working pressure 80 bar continuous

Dimensional drawing – series SMT

Submersible screw pump



TIPO TYPE	Flange				Shaft				Discharge		Pump					Kg
	B	E	F	d1	A	D	T	U	Ø _M	H2	C	G	d2	L1	L3	
GR 20 8-12-15-20L	80	11	103	125	31	14	16	5	3/8" GAS	25	41	40	60	60	240	1,8
GR 32 35-45-55-75L	100	11	125	150	36	19	21,5	6	1" SAE	41	42	70	96	74	345	6,5
GR 40 100-125-150L	125	14	160	188	36	19	21,5	6	1 1/4" SAE	46,5	46	70	110	80	386	10,5
GR 45 180-210L	125	14	160	188	55	32	35	10	1 1/2" SAE	51,5	64,5	70	124	95	417	15
GR 55 250-300-330-380L	160	18	200	235	55	32	35	10	2" SAE	54	64,5	100	145	103	512	26,5
GR 60 440-500L	160	18	200	235	55	32	35	10	2 1/2" SAE	63,5	68	100	155	112	540	30,5
GR 70 600-660-800L	200	22	250	300	55	32	35	10	3" SAE	83	67	100	182	122	620	47
GR 80 1000-1200L	220	22	250	300	60	38	41	10	3" SAE	83	76	100	202	159	730	60

The data shown in the catalogue can change without notice.
For special applications – please contact the main office.

SCREW PUMPS TYPE SMT

Dry & submersible screw pumps for industrial applications - Working pressure 80 bar continuous

Performances

6 cSt – 2 poles motor, 50Hz

Pump types SMT/SMIT – maximum operating pressure 80 bar
Flow / Pressure / Power tables

Type	l/min	10	Operating pressure (bar)							
			20	30	40	50	60	70	80	
GR 20	8 L	l/min	8,2	7,4	6,6	5,8	5,2			
		KW	0,2	0,3	0,4	0,5	0,6			
	12 L	l/min	12,3	11,0	9,8	8,6	7,5			
		KW	0,3	0,5	0,6	0,7	0,8			
	15 L	l/min	15,9	14,4	13,1	11,8	10,5			
		KW	0,4	0,6	0,8	1,0	1,1			
23 L	l/min	23	21,2	19,5	18,0	16,4				
	KW	0,5	0,9	1,3	1,5	1,8				
GR32	35 L	l/min	35,6	33,1	30,8	28,8	26,6			
		KW	0,8	1,4	1,9	2,4	2,8			
	45 L	l/min	44,6	41,3	38,4	36,2	33,2			
		KW	1	1,8	2,4	3	3,5			
	55 L	l/min	55,2	51,3	47,6	44,1	40,7			
		KW	1,2	2,2	3,0	3,7	4,2			
75 L	l/min	75,4	70,0	64,9	59,5	54,8				
	KW	1,7	2,9	4,0	4,9	5,6				
GR 40	100 L	l/min	98	92,0	85,8	80,2	75,0			
		KW	2,1	3,8	5,3	6,7	7,8			
	125 L	l/min	122,0	113,0	105,5	98,0	90,4			
		KW	2,6	4,8	6,6	8,0	9,4			
150 L	l/min	145	136,5	129,0	121,0	113,6				
	KW	3,2	5,8	8,0	10,0	11,5				
GR45	180 L	l/min	174	163	152,0	142,0	132,6			
		KW	3,8	6,8	9,6	11,8	13,5			
	210 L	l/min	206,0	195,0	184,0	174,0	164,0			
		KW	4,5	8,3	11,5	14,5	17,0			
GR55	250 L	l/min	265,0	251,0	239,0	228,0	217,0			
		KW	5,8	10,5	14,8	18,8	22,5			
	300 L	l/min	296,0	282,0	270,0	259,0	248,0			
		KW	6,5	11,8	16,8	21,5	25,5			
	330 L	l/min	336,0	322,0	310,0	298,0	288,0			
		KW	7,5	13,5	19,0	24,7	30,8			
380 L	l/min	374,0	356,0	339,0	324,0	308,0				
	KW	8,2	15,0	21,0	26,8	31,8				
GR 60	440 L	l/min	440,0	418,0	398,0	379,0	360,0			
		KW	9,5	17,6	24,8	31,4	37,0			
	500 L	l/min	502,0	480,0	460,0	441,0	422,0			
		KW	11,0	20,0	28,6	36,0	43,0			
GR 70	600 L	l/min	610,0	587,0	567,0	547,0	528,0			
		KW	13,0	24,4	35,0	45,0	54,0			
	660 L	l/min	665,0	643,0	623,0	603,0	584,0			
		KW	14,8	26,8	39,0	49,5	60,0			
	800 L	l/min	805,0	775,0	747,0	720,0	694,0			
		KW	17	32,0	46,0	59,0	71,0			
GR 80	1.000 L	l/min	1.008,0	978,0	951,0	924,0				
		KW	21,5	40,5	58,0	75,0				
	1.200 L	l/min	1.222,0	1.181,0	1.143,0	1.108,0				
		KW	26,0	49,0	70,0	90,0				

The data shown in the catalogue can change without notice.
For special applications – please contact the main office.

SCREW PUMPS TYPE SMT

Dry & submersible screw pumps for industrial applications - Working pressure 80 bar continuous

Performances

68 cSt – 2 poles motor, 50Hz

Pump types SMT/SMIT – maximum operating pressure 80 bar
Flow / Pressure / Power tables

Type	l/min	10	Operating pressure (bar)							
			20	30	40	50	60	70	80	
GR 20	8 L	l/min	8,8	8,6	8,3	8,0	7,7	7,4	7,1	6,5
		KW	0,2	0,4	0,6	0,7	0,9	1	1,1	1,2
	12 L	l/min	13,5	13,1	12,7	12,3	11,8	11,3	10,8	10
		KW	0,3	0,6	0,8	1,1	1,3	1,5	1,6	1,8
	15 L	l/min	17,5	17,0	16,5	16,0	15,7	15,3	14,9	14,0
		KW	0,4	0,8	1,1	1,4	1,7	2	2,3	2,5
23 L	l/min	25,2	24,6	24,0	23,5	23,0	22,5	22,0	21,0	
	KW	0,6	0,9	1,6	2	2,5	2,9	3,3	3,8	
GR32	35 L	l/min	39,0	38,4	37,8	37,2	36,5	35,8	35,0	33,5
		KW	1	1,6	2,5	3,3	4,0	4,6	5,2	5,9
	45 L	l/min	48,8	48,4	48,0	47,5	47,0	46,3	45,5	44,0
		KW	1,2	2,2	3,2	4	5	6	6,8	7,6
	55 L	l/min	58,0	57,0	56,0	55,0	54,0	52,7	51,4	50,0
		KW	1,4	2,5	3,7	4,7	5,8	6,8	7,8	8,6
75 L	l/min	80,3	79,6	78,0	75,8	73,8	71,6	70,0	67,7	
	KW	1,8	3,3	4,7	6	7,2	8,4	10,0	10,5	
GR 40	100 L	l/min	104,0	100,0	96,0	92,8	89,7	85,0	80,3	76,0
		KW	2,5	4,5	6,5	8,4	10,0	11,9	13,8	15,2
	125 L	l/min	128,0	126,0	124,0	122	119,5	117,0	114,5	108,5
		KW	3,0	5,4	7,9	10,4	12,8	14,9	16,9	18,5
150 L	l/min	151,0	149,0	147,0	144,5	142,0	139,5	137,0	132,0	
	KW	3,5	6,5	9,5	12,9	14,9	18	20	23	
GR45	180 L	l/min	183,0	180,0	177,0	174	170,5	167,0	163,5	156,5
		KW	4,0	7,8	11,2	14,9	18,0	21,0	24,0	27,0
	210 L	l/min	214,0	211,5	208,0	204,5	201,0	197,5	194,0	192,1
		KW	5	9	13,4	17,3	21	25	28,5	33,0
GR55	250 L	l/min	276,0	271,0	266,0	263,0	260,0	257,0	253,0	249,0
		KW	6	11,6	17,0	23	28	33	38	43,0
	300 L	l/min	305,5	301,0	297,0	293,0	289,0	285,0	281,0	273,0
		KW	6,9	12,8	18,8	24	30,2	35,9	41	47,0
	330 L	l/min	346,0	340,0	334,0	330,0	326,0	322,0	317,0	310,0
		KW	7,6	14,5	21,5	28,5	35	41,5	48	53,0
380 L	l/min	386,5	382,0	378,0	374,0	370,0	365,5	361,0	351,0	
	KW	8,5	16	23,8	31,5	38,8	46	53	60,0	
GR 60	440 L	l/min	455,0	450,0	445,0	440,0	434,5	429,0	423,5	412,0
		KW	10,0	19,0	28,0	34,0	46,0	54,0	62,0	70,0
	500 L	l/min	516,5	511,5	506,5	501,0	495,0	489,0	483,0	470,0
		KW	11,0	22,0	30,0	42,0	52,0	62,0	71,0	80,0
GR 70	600 L	l/min	625,0	619,5	614,0	608,0	602,0	595,5	589,0	572,0
		KW	14,0	26,0	38,0	51,0	63,0	75,0	86,0	97,0
	660 L	l/min	681,0	675,5	671,0	665,0	659,0	652,5	646,0	632,0
		KW	15,0	28,6	42,0	55,0	69,0	80	95,0	106,0
	800 L	l/min	826,0	820,0	815,0	810,0	804,5	799,5	794,5	775,0
		KW	18,0	34,0	51,0	68,0	84,0	100,0	116,0	130,0
GR 80	1.000 L	l/min	1.030,0	1.024,0	1.017,0	1.010,0	1.002,0	995,0	986,0	965,0
		KW	22,0	43,0	64,0	85,0	105,0	125,0	144,0	161,0
	1.200 L	l/min	1.250,0	1.242,0	1.234,0	1.225,0	1.212,0	1.194,0	1.176,0	1.152,0
		KW	27,0	52,0	78,0	106,0	126,0	149,0	172,0	193,0

The data shown in the catalogue can change without notice.
For special applications – please contact the main office.

SCREW PUMPS TYPE SMT

Dry & submersible screw pumps for industrial applications - Working pressure 80 bar continuous

Performances

400 cSt – 2 poles motor, 50Hz

Pump types SMT/SMIT – maximum operating pressure 80 bar
Flow / Pressure / Power tables

Type	l/min		Operating pressure (bar)								
			10	20	30	40	50	60	70	80	
GR 20	8 L	l/min	9,3	9	8,7	8,4	8,1	7,8	7,5	7	
		KW	0,3	0,5	0,7	0,9	1	1,2	1,3	1,4	
	12 L	l/min	14,2	13,8	13,4	12,8	12,3	11,8	11,4	11	
		KW	0,4	0,7	1	1,3	1,6	1,8	2	2,2	
	15 L	l/min	18,3	18,0	17,6	17,2	16,7	16,2	15,8	15,5	
		KW	0,5	0,9	1,4	1,8	2,1	2,5	2,8	3,2	
23 L	l/min	26,3	26,0	25,5	25,1	24,7	24,2	23,8	23,3		
	KW	0,7	1,3	2	2,5	3,1	3,7	4,2	4,7		
GR32	35 L	l/min	40,6	40,0	39,5	39,0	38,4	38,0	37,5	37,0	
		KW	1	2	3	3,9	4,8	5,7	6,6	7,4	
	45 L	l/min	50,8	50,3	49,7	49,2	48,8	48,4	47,8	47,3	
		KW	1,3	2,5	3,8	4,9	6,1	7,3	8,4	9,5	
	55 L	l/min	59,4	58,7	58,1	57,6	57,0	56,3	55,5	54,6	
		KW	1,5	2,9	4,4	5,8	7,2	8,5	9,7	11,0	
75 L	l/min	81,4	80,6	79,7	79,0	78,2	77,2	76,2	75,1		
	KW	2,1	4,1	6	8,0	9,8	11,6	13,4	15,0		
GR 40	100 L	l/min	106,0	105,0	104,0	103,0	102,0	101,0	99,8	98,5	
		KW	2,7	5,3	7,8	10,3	12,8	15,2	17,5	19,7	
	125 L	l/min	132,0	130,0	129,0	128,0	126,0	125,0	123,6	122,0	
		KW	3,3	6,5	9,7	12,8	15,8	18,8	21,7	24,4	
	150 L	l/min	155,0	153,0	152,0	150,0	149,0	148,0	146,0	144,5	
		KW	3,9	7,7	11,4	15,0	18,7	22,2	25,6	29	
GR45	180 L	l/min	187,0	185,0	183,0	181,0	180,0	178,0	175,5	173,0	
		KW	4,7	9,3	13,8	18,1	22,5	26,7	30,1	34,6	
	210 L	l/min	218,0	217,0	215,0	213,0	211,0	209,0	206,6	204,0	
		KW	5,5	10,9	16,2	21,3	26,4	31,4	36,2	40,8	
GR55	250 L	l/min	280,0	278,0	276,0	274,0	272,0	269,0	266,0	264,0	
		KW	7,0	13,9	20,7	27,4	34,0	40,4	46,6	52,8	
	300 L	l/min	310,0	308,0	306,0	305,0	303,0	300,0	297,0	294,0	
		KW	7,8	15,4	23,0	30,5	37,9	45,0	52	59,0	
	330 L	l/min	352,0	349,0	346,0	344,0	341,0	338,0	335,0	332,0	
		KW	8,8	17,5	26,0	34,4	42,7	51,0	58,8	67,0	
380 L	l/min	394,0	391,0	388,0	386,0	383,0	380,0	377,0	374,0		
	KW	9,9	19,6	29,2	38,6	48,0	57,0	65,0	75,0		
GR 60	440 L	l/min	462,0	459,0	456,0	453,0	450,0	446,0	443,0	439,0	
		KW	11,6	23,0	34,2	45,3	56,5	67,0	78,0	88,0	
	500 L	l/min	524,0	520,0	517,0	514,0	511,0	507,0	504,0	500,0	
		KW	13,2	26,0	38,8	51,4	64,0	76,0	88,0	100,0	
GR 70	600 L	l/min	633,0	629,0	626,0	623,0	620,0	615,0	610,0	606,0	
		KW	16	31,5	47,0	62,0	78,0	93,0	107,0	121,0	
	660 L	l/min	689,0	685,0	682,0	679,0	675,0	670,0	665,0	661,0	
		KW	17,4	34,3	51,5	68,0	84,0	101,0	116,0	132,0	
	800 L	l/min	836,0	831,0	827,0	822,0	818,0	813,0	807,0	802,0	
		KW	21,0	42,0	62,0	82,0	102,0	122,0	141,0	161,0	
GR 80	1.000 L	l/min	1.040,0	1.035,0	1.031,0	1.026,0	1.022,0	1.017,0	1.012,0	1.006,0	
		KW	26,0	52,0	77,0	103,0	128,0	153,0	177,0	201,0	
	1.200 L	l/min	1.264,0	1.258,0	1.252,0	1.246,0	1.240,0	1.233,0	1.226,0	1.220,0	
		KW	32,0	63,0	94,0	125,0	155,0	185,0	215,0	244,0	

The data shown in the catalogue can change without notice.
For special applications – please contact the main office.

SCREW PUMPS TYPE SMT

Dry & submersible screw pumps for industrial applications - Working pressure 80 bar continuous

Performances

6 cSt – 4 poles motor, 50Hz

Pump types SMT/SMIT – maximum operating pressure 80 bar
Flow / Pressure / Power tables

Type		l/min	10	Operating pressure (bar)							
				20	30	40	50	60	70	80	
GR 20	8 L	8	l/min	3,6	3	2,4	1,9				
			KW	0,2	0,2	0,2	0,3				
	12 L	12	l/min	5,5	4,7	3,9	3				
			KW	0,2	0,3	0,4	0,5				
	15 L	15	l/min	7,0	5,9	5,0	4,0				
			KW	0,2	0,3	0,5	0,6				
23 L	23	l/min	10,4	8,9	7						
		KW	0,3	0,4	0,6						
GR32	35 L	35	l/min	16,0	14,3	12,8	11,2	9,9			
			KW	0,4	0,7	0,9	1,0	1,2			
	45 L	45	l/min	20,2	18,1	16,2	14,2	12,6			
			KW	0,5	0,9	1,2	1,4	1,5			
	55 L	55	l/min	25,0	22,5	19,8	17,2	15,4			
			KW	0,6	1	1,4	1,6	1,8			
75 L	75	l/min	34,2	31,5	28,8	26,4					
		KW	0,7	1,4	1,9	2,4					
GR 40	100 L	100	l/min	44,7	39,6	34,6	29,5	23,8			
			KW	1	1,8	2,2	2,6	2,8			
	125 L	125	l/min	55,8	49,3	43,6	37,0	30,9			
			KW	1,2	2	2,8	3,2	3,5			
	150 L	150	l/min	66,5	58,9	51,3	44,0				
			KW	1,4	2,5	3,4	3,8				
GR45	180 L	180	l/min	80,8	74,9	69,1	63,4	57,0			
			KW	1,8	3,4	4,5	5,5	6,2			
	210 L	210	l/min	95,6	86,6	77,7	68,9	58,9			
			KW	2	3,8	5	5,9	6,3			
GR55	250 L	250	l/min	126,0	116,2	106,2	97	86,4			
			KW	2,7	5	6,8	8	9			
	300 L	300	l/min	140,4	129,5	118,8	108,2	106,0			
			KW	3	5,5	7,5	9	11,0			
	330 L	330	l/min	159,2	147,0	134,78,0	122,6				
			KW	3,6	6,2	8,5	10				
380 L	380	l/min	177,2	162,4	148,2	132,8					
		KW	4	7	9	11					
GR 60	440 L	440	l/min	207,0	199,6	192,0	184,0				
			KW	4,5	8,4	12,0	15,0				
	500 L	500	l/min	237,0	228,6	220,0	210,6				
			KW	5,0	10	13,8	17				
GR 70	600 L	600	l/min	288,0	277,0	266,4	256,0				
			KW	6,0	11,5	16,5	21				
	660 L	660	l/min	314,0	303,0	293,7	282,0				
			KW	6,8	12,5	18	23,0				
	800 L	800	l/min	379,8	366,6	353,7	341,0				
			KW	8	15	22	27,5				
GR 80	1.000 L	1.000	l/min	481,0	464,2	447,0	432,0				
			KW	10,0	19,0	27,0	35,0				
	1.200 L	1.200	l/min	584,0	564,0	544,0	525,0				
			KW	12,0	23,0	33,0	42,0				

The data shown in the catalogue can change without notice.
For special applications – please contact the main office.

SCREW PUMPS TYPE SMT

Dry & submersible screw pumps for industrial applications - Working pressure 80 bar continuous

Performances

68 cSt – 4 poles motor, 50Hz

Pump types SMT/SMIT – maximum operating pressure 80 bar
Flow / Pressure / Power tables

Type	l/min	10	Operating pressure (bar)							
			20	30	40	50	60	70	80	
GR 20	8 L	l/min	4,1	4,0	3,8	3,6	3,5	3,4	3,2	3,0
		KW	0,2	0,2	0,3	0,4	0,5	0,6	0,7	0,8
	12 L	l/min	6,3	6,1	5,9	5,6	5,4	5,2	4,9	4,6
		KW	0,2	0,3	0,4	0,6	0,8	0,8	0,9	1,0
	15 L	l/min	8,2	7,9	7,5	7,1	6,6	6,5	6,2	6,0
		KW	0,2	0,4	0,6	0,8	0,9	1	1,2	1,3
23 L	l/min	11,8	11,4	10,9	10,5	10,0	9,7	9,4	9	
	KW	0,3	0,6	0,8	1,0	1,2	1,4	1,6	1,8	
GR32	35 L	l/min	18,2	17,6	16,9	16,3	15,7	15,1	14,5	13,8
		KW	0,4	0,8	1,2	1,4	1,8	2	2,2	2,4
	45 L	l/min	22,7	22,1	21,4	20,7	20,0	19,2	18,6	17,9
		KW	0,5	1	1,4	1,8	2,3	2,5	2,8	3
	55 L	l/min	28,0	27,0	26,2	25,3	24,4	23,3	22,6	21,5
		KW	0,6	1,2	1,8	2,2	2,8	3	3,4	3,6
75 L	l/min	38,8	37,5	36,3	35,1	34,0	32,7	31,8	30,5	
	KW	0,8	1,6	2,3	2,9	3,8	4	4,6	5	
GR 40	100 L	l/min	50,2	48,6	47,2	45,8	44,3	42,7	41,0	39,6
		KW	1	2	3	3,8	4,8	5,5	6,0	6,8
	125 L	l/min	61,3	59,9	57,8	56,0	54,0	52,2	50,2	48,2
		KW	1,3	2,5	3,6	4,8	5,8	6,5	7,5	8,0
	150 L	l/min	73,3	71,6	69,8	68,0	66,4	64,6	63,2	61,4
		KW	1,5	3,0	4,5	5,8	6,9	8,0	9,0	10,0
GR45	180 L	l/min	88,4	86,4	84,2	82,2	80,4	78,2	76,0	74,0
		KW	1,8	3,5	5,4	6,8	8,5	9,6	11,0	12,0
	210 L	l/min	102,4	100,0	97,5	95,1	92,7	90,3	88	85,4
		KW	2,2	4	6	7,9	10	11	12,6	13,9
GR55	250 L	l/min	134,6	132,3	130,0	127,7	125,4	123,0	121,0	118,8
		KW	3,0	5,4	8	10,5	13	15	17	19,4
	300 L	l/min	149,7	147,2	144,5	142,0	139,5	137,0	134,7	132,0
		KW	3,5	6	9	11,7	14	16,8	19	21,5
	330 L	l/min	169,5	167,0	164,6	162,2	159,7	157,3	155,0	152,5
		KW	4	6,8	10	13	16	19	22	25
380 L	l/min	188,5	186,0	183,4	180,8	178,4	175,9	173,5	171,0	
	KW	4,5	7,6	11	14,8	18	21,5	24,7	28	
GR 60	440 L	l/min	220,8	218,2	215,5	212,7	210,4	207,7	205,0	202,6
		KW	5	9	13	17,5	21,5	25	29	33
	500 L	l/min	251,0	248,3	245,7	243,0	240,3	237,8	235,0	232,2
		KW	5,6	10,0	15	20	24	29	33,0	38
GR 70	600 L	l/min	305,0	301,8	298,7	295,6	292,3	289,3	286,0	282,6
		KW	6,5	12,5	18	24	30	35,0	40,0	46
	660 L	l/min	333,0	329,7	326,3	323,0	319,6	316,3	313,0	309,6
		KW	7,0	13,5	20	26,0	32	38	44,0	50
	800 L	l/min	404,0	400,5	396,9	393,3	389,6	386,1	383,0	379,6
		KW	9,0	16,0	24	31,5	39	47	54,0	61
GR 80	1.000 L	l/min	507,0	502,6	498,0	493,8	489,4	485,0	481,0	476,5
		KW	10,5	21,0	30	40	49	59,0	68,0	77
	1.200 L	l/min	613,0	608,0	602,6	597,4	592,3	587,0	582,0	576,6
		KW	13,0	25,0	36	48	60	71,0	82,0	93

The data shown in the catalogue can change without notice.
For special applications – please contact the main office.

SCREW PUMPS TYPE SMT

Dry & submersible screw pumps for industrial applications - Working pressure 80 bar continuous

Performances

400 cSt – 4 poles motor, 50Hz

Pump types SMT/SMIT – maximum operating pressure 80 bar
Flow / Pressure / Power tables

Type	l/min	10	Operating pressure (bar)								
			20	30	40	50	60	70	80		
GR 20	8 L	8	l/min	4,5	4,4	4,3	4,1	4,0	3,9	3,8	3,6
			KW	0,2	0,3	0,4	0,5	0,6	0,7	0,8	0,9
	12 L	12	l/min	6,9	6,8	6,6	6,5	6,3	6,0	5,8	5,6
			KW	0,3	0,4	0,6	0,7	0,9	1,0	1,1	1,2
	15 L	15	l/min	8,9	8,7	8,5	8,2	8	7,8	7,6	7,3
			KW	0,3	0,5	0,7	0,9	1,1	1,2	1,4	1,6
23 L	23	l/min	12,8	12,5	12,2	11,8	11,5	11,3	11,0	10,7	
		KW	0,4	0,7	1	1,3	1,5	1,8	2	2,2	
GR32	35 L	35	l/min	19,8	19,5	19,1	18,8	18,4	18,1	17,8	17,5
			KW	0,6	1	1,5	2,2	2,4	2,8	3,2	3,6
	45 L	45	l/min	24,9	24,4	23,9	23,4	23,0	22,7	22,4	21,9
			KW	0,8	1,3	1,9	2,4	3	3,5	4	4,5
	55 L	55	l/min	29,2	28,7	28,2	27,6	27,1	26,6	26,2	25,6
			KW	1	1,5	2,2	2,8	3,4	4	4,6	5,2
	75 L	75	l/min	40,1	39,4	38,8	38,0	37,3	36,6	36,0	35,2
			KW	1,2	2	3	3,9	4,8	5,6	6,5	7,3
GR 40	100 L	100	l/min	52,2	51,3	50,2	49,0	48,0	47,2	46,0	44,8
			KW	1,4	2,6	3,8	5	6	7	8	9
	125 L	125	l/min	65,0	64,0	63,0	61,8	60,8	59,8	59,0	57,8
			KW	1,7	3,3	4,8	6,3	7,8	9	10,5	11,8
	150 L	150	l/min	76,4	75,2	74	72,7	71,4	70,2	69,2	67,9
			KW	2	3,8	5,6	7,4	9,0	10,7	12,5	13,8
GR45	180 L	180	l/min	92,2	90,8	89,3	87,9	86,4	84,9	83,4	82,0
			KW	2,4	4,6	6,8	8,9	11,0	13	14,7	16,7
	210 L	210	l/min	107,4	105,6	103,8	101,9	100,0	98,2	96,6	94,7
			KW	2,7	5,4	7,9	10,4	12,7	15	17	19,0
GR55	250 L	250	l/min	138,7	137,3	135,9	134,4	132,9	131,4	130,2	128,7
			KW	3,5	6,9	10,5	13,5	16,8	20	23	26,0
	300 L	300	l/min	153,5	152,0	150,4	148,8	147,1	145,5	144,0	142,4
			KW	4	7,7	11,4	15	18,5	22	25,5	28,5
	330 L	330	l/min	174,3	172,2	170,2	168,3	166,2	164,2	162,0	160,0
			KW	4,4	8,7	13	17	21,0	24,8	28,5	32,0
	380 L	380	l/min	195,2	192,8	190,5	188,0	185,6	183,1	181,0	178,5
			KW	5,0	9,7	14,6	19	23,0	27,6	32	36,0
GR 60	440 L	440	l/min	228,8	226,2	223,5	220,7	217,9	215,1	212,5	209,8
			KW	5,9	11,5	17,0	22,0	27,5	32,5	37,0	42,0
	500 L	500	l/min	259,5	256,4	253,4	250,2	247,0	244,0	241,0	238,0
			KW	6,6	13,0	19	25	31	37,0	42,0	48,0
GR 70	600 L	600	l/min	314,0	310,4	306,8	303,0	299,5	295,0	292,0	289,0
			KW	8	15,8	23	30	38	44,0	51,0	58,0
	660 L	660	l/min	342,0	337,4	332,8	328,0	323,4	318,8	314,0	310,0
			KW	8,7	17	25	33,0	40	48,0	55,0	62,0
	800 L	800	l/min	414,0	409,8	405,6	401,3	397,0	393,0	389,0	385,0
			KW	10,5	20,5	31	40,0	50,0	59,0	68,0	77,0
GR 80	1.000 L	1.000	l/min	515,0	511,0	507,0	502,5	498,0	494,0	489,0	485,0
			KW	13,0	26,0	38	50	62,0	74,0	86,0	97,0
	1.200 L	1.200	l/min	626,0	621,0	615,6	610,5	605,0	600,0	594,0	590,0
			KW	16,0	31,0	46	61	76,0	90,0	106,0	118,0

The data shown in the catalogue can change without notice.
For special applications – please contact the main office.

SCREW PUMPS TYPE SMT

Dry & submersible screw pumps for industrial applications - Working pressure 80 bar continuous

Ordering code

GR **	****	***L	*	*	*	***
1	2	3	4	5	6	7
Pump type	Dry or submersible	Nominal Flow (L/min 2750 rpm)	High viscosity flag ⁽¹⁾	Pump body	Seal	Rotation
GR20		8				
		12				
		15				
		23				
GR32		35	None Up to 100 cSt			
		45				
		55				
		75				
GR40	SMT dry	100	S1: from 100 to 250 cSt	None Aluminium	None NBR	
		125				
		150				
GR45	SMT dry	180	S2: from 250 to 500 cSt	G Cast iron	V Viton	None Right rotation
		210				
GR55	SMIT submersible	250	S3: from 500 to 800 cSt	A Carbon steel (18NiCrMo5)	E EDPM	REV Reversible rotation
		300				
		330				
		380				
GR60		440	S4: past 800 cSt			
		500				
GR70		600				
		660				
		800				
GR80		1.000				
		1.200				

(1) this option implies small reduction in efficiency

Example:

1) GR55 SMT 250L S2 G V

Pump providing a nominal flow of 250L, for thick oil (between 250 and 500 cSt), cast iron body, Viton seals

2) GR80 SMT 1.000L

Pump providing a nominal flow of 1.000 L/min at 2.750 rpm, normal shaft, aluminium body

The data shown in the catalogue can change without notice.
For special applications – please contact the main office.

Main Office:

Area Agency/Reseller: