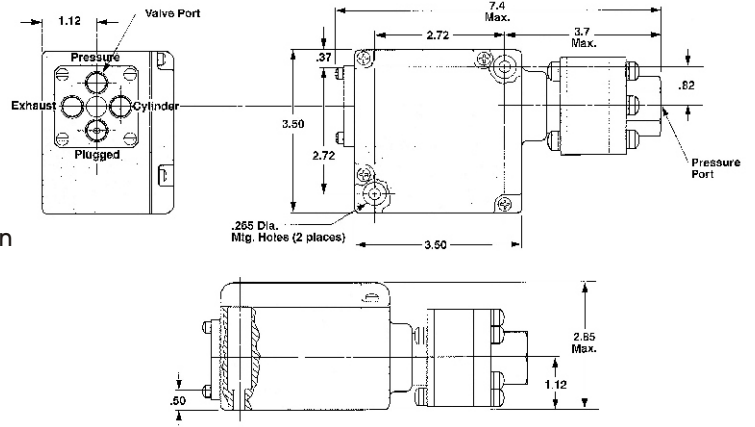


# ADJUSTABLE AIR RELE PRESSURE SWITCHES TYPE 100PV-200PV

Adjustment range 0,6 ÷ 420 bar - 3 way pneumatic valve NO/NC - NPT Threads

## TECHNICAL DATA STANDARD EXECUTION

Execution	3 way pneumatic valve
Line pressure D form	Normally Closed max 14 bar
F form	Normally Open max. 14 bar
Working Temperature	Ambient -34 +71 °C
	Media -40 +121 °C
Attacchi Pneumatici	1/8" NPT femmina
Orifice	Cv .076
Leakage	Internal and external max. 6 cc/min air @ 3,5 bar
Pressure connection	1/4" NPT Female



## ORDERING CODE

100PV 4 8 C3 BW

TYPE	100PV-200PV
WETTED MATERIAL	1 - 4
100 ADJUSTABLE RANGES	2 - 4 - 6 - 8 - 10 - 12
200 ADJUSTABLE RANGES	3 - 6 - 8
VALVE FORM	D - F
MISCELLANEOUS	A - B - C - E - W

## EXPLANATION CODE

### TYPE

100PV Pressostato pneumatico a Diaframma

200PV Pressostato pneumatico a Pistone

### WETTED MATERIAL

1 Aluminium port & piston, Teflon seal, Buna-N O-R

4 316 stainless steel port, Teflon coated Polyimide diaphragm, Buna-N O-Ring (100PV only)

### RANGE 100PV

2 0,6 ÷ 3,5 bar

4 1,7 ÷ 7 bar

6 4,7 ÷ 14 bar

8 7,5 ÷ 31 bar

10 19 ÷ 66 bar

12 42 ÷ 130 bar

### RANGE 200PV

3 24,5 ÷ 105 bar

6 38 ÷ 210 bar

8 84 ÷ 420 bar

### VALVE FORM

D Normally Not Passing - 3 way

F Normally Passing - 3 way

### EXECUTION

3 Meets or exceeds requirements NEMA type 3, 3R, 3S, 4, 4X, 13

### MISCELLANEOUS

A Epoxy panit exterior for several environments.

B Viton O-Ring

C EPR O-Ring

E 7/16" SAE port (wetted material 1 only)

W Stainless steel screws - exterior

N.B. Non-catalog adjustable ranges and/or set point, deadband and proof pressure.  
316 Stainless steel port and diaphragm heliarc welded (100PV)  
Chemical seal installed (100PV)

Adjustable set-point range	Increasing range (bar)	Decreasing range (bar)	Deadband (bar)	Maximum working pressure (bar)	Proof pression simultaneous (bar)
<b>100PV</b>					
2	1 ÷ 3,5	0,6 ÷ 3	0,4	42	70
4	2,4 ÷ 7	1,7 ÷ 6	0,7	42	70
6	5,5 ÷ 14	4,7 ÷ 13	0,8	210	350
8	10 ÷ 31	7,5 ÷ 29	2,8	210	350
10	24 ÷ 66	19 ÷ 61	5,5	210	350
12	52 ÷ 130	42 ÷ 120	10,5	210	350
<b>200PV</b>					
3	35 ÷ 105	24,5 ÷ 84	10 ÷ 21	525	700
6	52,5 ÷ 210	38 ÷ 182	14 ÷ 28	525	700
8	126 ÷ 420	84 ÷ 336	42 ÷ 84	700	1050