

ADJUSTABLE DIFFERENTIAL HIGH PRESSURE SWITCHES TYPE 162 - ATEX

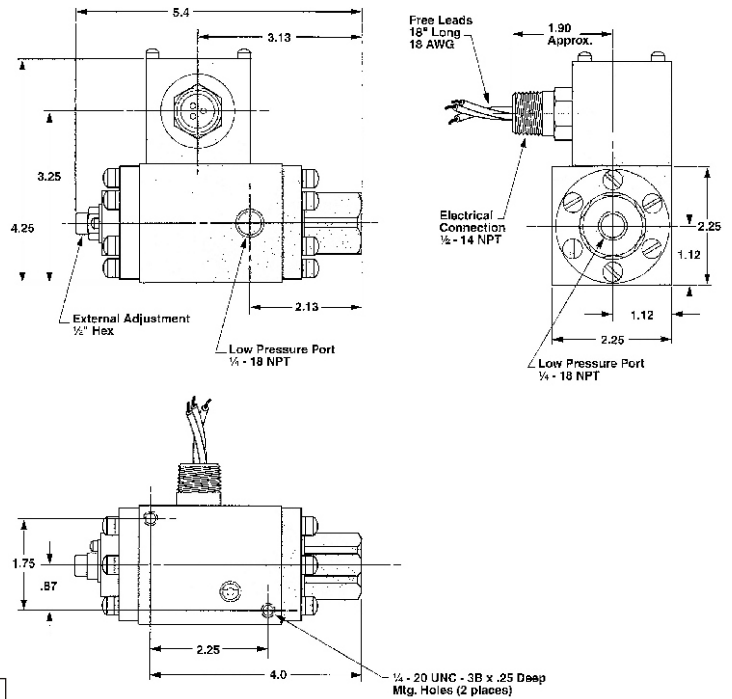
Adjustment ranges 0,07 ÷ 70 bar - Max. Voltage 250 V - SPDT/DPDT Contact - Explosion proof - Attacchi NPT

TECHNICAL DATA STANDARD EXECUTION

Execution	Explosion proof Eexd IIC T6
Certification	Atex, CSA, CENELEC
Working Temperature	Ambient -40 +80 °C Media -40 +149 °C
Electrical threads	1/2" NPT Male
Pressure threads	Insulated AWG leads L= 450mm 1/4" NPT Female
Adjustment	Wrench flat adjustment with range scale

ELECTRICAL SPECIFICATIONS

Explosion proof. Factory sealed. Hermetically sealed. Electrical assembly. P/N 057.0030 (C form), P/N 057.0057 (CC form). Underwriters' Laboratories Inc. Listed (file. E 56677) or Canadian Standards Associations (file. 34146) for Division 1 and 2; Class I; Groups A, B, C, D; Class II Groups E, F, G, hazardous locations (NEMA 7 and 9), ATEX.



ORDERING CODE

162P 4 9 C6 RN

TYPE	162P
WETTED MATERIALS	1 - 4
ADJUSTABLE RANGES	2 - 4 - 6 - 8 - 9
ELECTRICAL FORM	C6 - Cc6
MISCELLANEOUS	A - B - C - H - I - M - N - R - S

EXPLANATION CODE

TYPE

162P Explosion proof Differential high pressure switches

WETTED MATERIALS

- 1 Aluminium port and body, Teflon coated polyimide diaphragm, Buna-N O-Ring
- 4 300 stainless steel, Teflon coated polyimide diaphragm, Buna-N O-Ring

RANGE 100

- 2 0,07 ÷ 3,5 bar
- 4 0,7 ÷ 6 bar
- 6 0,7 ÷ 14 bar
- 8 10 ÷ 24 bar
- 9 15,5 ÷ 70 bar

ELECTRICAL FORM

- C6 SPDT Contact: 11 A and 1/4 hp 125 or 250 VAC; 5 A resistive, 3 A inductive @ 28 VDC; 0,5 A resistive @ 125 VDC.
- CC6 DPDT Contact: 11 A and 1/4 hp 125 or 250 VAC; 5 A resistive, 3 A inductive @ 28 VDC; 0,5 A resistive @ 125 VDC.

MISCELLANEOUS

- A Epoxy panit exterior for several environments.
- B Viton O-Ring
- C EPR O-Ring
- H Stainless steel exterior (included with 4 wetted material)
- I 3/4" Conduit box with terminal strip
- M Gold electrical contacts for extremely low current
- N CENELEC / ATEX approval
- R 1800 mm electrical free leads
- S 316 Stainless steel diaphragm (100P4 only)

N.B. Non-catalog adjustable ranges and/or set point, deadband and proof pressure.

Adjustable set-point range	Increasing range (bar)	Decreasing range (bar)	Deadband (bar)	Maximum working pressure (bar)	Proof pression simultaneous (bar)
160P					
2	0,4 ÷ 3,5	0,07 ÷ 3	0,35	350	525
4	1,4 ÷ 6	0,7 ÷ 5,5	0,7	350	525
6	2 ÷ 14	0,7 ÷ 12,5	1,4	350	525
8	12 ÷ 24	10 ÷ 22	2	350	525
9	22,4 ÷ 70	15,5 ÷ 63	7	350	525

* Proof pressure: high/Low 175 bar; Low/High 175 bar