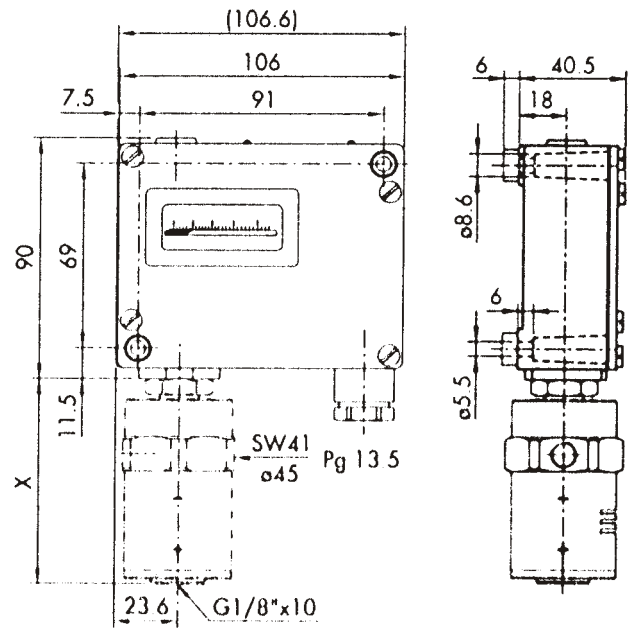


ADJUSTABLE DIFFERENTIAL PRESSURE SWITCHES TYPE PD

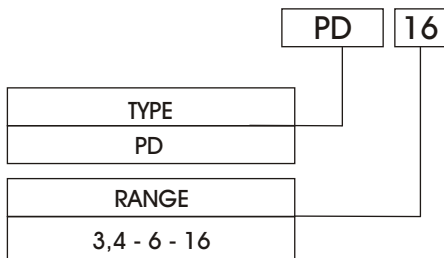
Adjustment range $-0,6 \div 16$ bar - Max. Voltage 380 V - SPDT contact

TECHNICAL DATA STANDARD EXECUTION

Max. Voltage	380 Vac, 250 Vdc
Current	15 A @ 380 V (resistive) 3 A @ 380 V (inductive)
Max. Sensor temperature	150 °C
Ambient temperature	$-20 \div 70$ °C
Accuracy of full scale	$\pm 2\%$
Protection	IP 65 con PG13,5
Threads	G 1/8" x 10 parallel



ORDERING CODE



EXPLANATION CODE

TYPE

PD Differential low pressure switches

RANGE

PD 3.4	$-0,6 \div 3,4$ bar
PD 6	$0 \div 6$ bar
PD 16	$1 \div 16$ bar

Model	Range bar	Hysteresis Δp	Max. Pressure working	X mm
PD 3.4	$-0,6 \div 3,4$	0,2 bar	12 bar	12
PD 6	$0 \div 6$	0,2 bar	12 bar	12
PD 16	$1 \div 16$	0,4 bar	24 bar	24