

DIFFERENTIAL ADJUSTABLE LOW PRESSURE SWITCHES TYPE VMRD

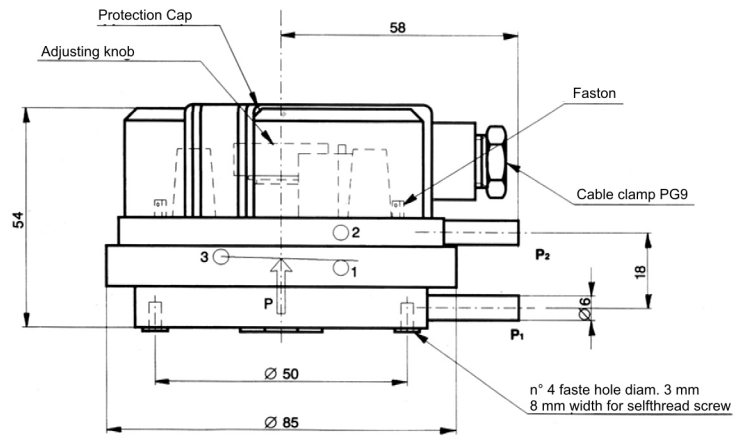
Adjustment ranges 0,4 ÷ 10 mbar - Max. Voltage 250 V - SPDT Contact

TECHNICAL DATA STANDARD EXECUTION

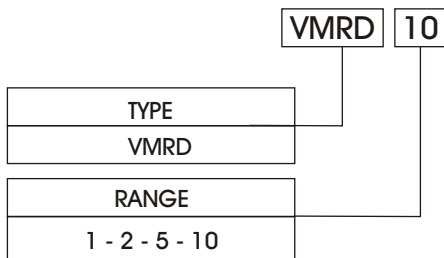
Max. Voltage	250 Vca
Current	6 A @ 250/50 V/Hz (resistive) 1,5 A @ 250/50 V/Hz (inductive)
Push-on terminal	Faston 6,3 x 0,8 DIN 46244
Max. Working temperature	60 °C
Hysteresis	±5%
Protection	IP 54 con Pg9

MATERIAL STANDARD EXECUTION

Cable clamp	Nylon
Membrane	NBR
Contact	SPDT
Process Threads	Hole P ₁ e P ₂ Ø 6 mm
Mounting	4 faste hole Ø 3mm



ORDERING CODE



EXPLANAN CODE

TYPE	VMRD	Low differential pressure switches
RANGE	VMRD 1	0,4 ÷ 1 mbar
	VMRD 2	0,4 ÷ 2 mbar
	VMRD 5	0,5 ÷ 5 mbar
	VMRD 10	2 ÷ 10 mbar

Model	Adjustment range mbar	Differential Δp	Max. Static pressure	Weigh gr
VMRD1	0,4 ÷ 1	0,2 mbar	5 mbar	152 gr
VMRD2	0,4 ÷ 2	0,2 mbar	5 mbar	
VMRD5	0,5 ÷ 5	0,2 mbar	5 mbar	
VMRD10	2 ÷ 10	1,0 mbar	5 mbar	