

ADJUSTABLE LOW PRESSURE SWITCHES TYPE XP600

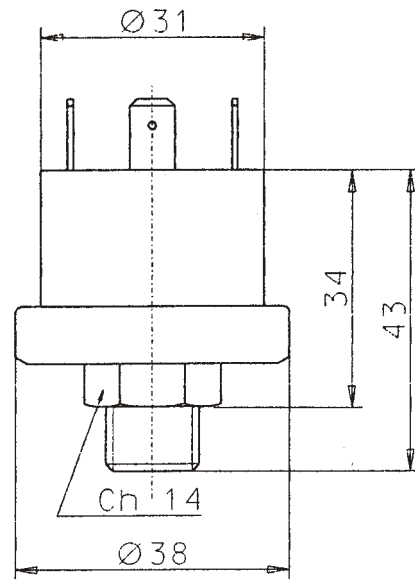
Adjustment range 0,2 ÷ 6 bar - Max. Voltage 250 V - SPDT Contact

TECHNICAL DATA STANDARD EXECUTION

Max. Voltage	250 Vca
Current	10 A @ 250/50 V/Hz (resistive) 2 A @ 250/50 V/Hz (inductive)
Push-on terminals	Faston 6,3 x 0,8 DIN 46244
Admitted temperature	125 °C
Protection	IP 00

MATERIAL STANDARD EXECUTION

Main body	Tecopolymer PET
Membrane and sealing	316 stainless steel and Silicon
Contact	SPDT
Pressure connection	Brass
Threads	1/8", 1/4"



ORDERING CODE

XP600 125 T... 18

TYPE	XP600
RANGE	021 - 125 - 154 - 260
SET-POINT	T...
THREADS	18 - 14

SPIEGAZIONE SIGLA

TIPO

XP600 Low pressure switches

RANGE

XP600-021	0,2 ÷ 1,2 bar
XP600-125	1 ÷ 2,5 bar
XP600-154	1,5 ÷ 4 bar
XP600-260	2 ÷ 6 bar

SET-POINT

T... insert value into the range

THREADS ISO228/ISO 07

18	1/8"
14	1/4"

Model	Range (bar)	Fix differential (bar)	Test pressure (bar)
XP600-021	0,2 ÷ 1,2	0,3 ±0,15	4 bar
XP600-125	1 ÷ 2,5	0,3 ±0,15	5 bar
XP600-154	1,5 ÷ 4	0,35 ±0,15	6 bar
XP600-260	2 ÷ 6	0,35 ±0,20	8 bar