

ULTRASONIC LEVEL TRANSMITTER TYPE 8175

No contact level transmitter - Process threads 2" - 4...20 mA Output

The ultrasonic level transmitter type 8175 combines an ultrasonic sensor and a transducer with a large 8 digits multilanguage display in a splash-proof plastic IP 65 enclosure.

The transmitter is powered with 18-32 VDC and features a three-wire 4-20 mA output for direct controlling a continuous control valve, a PLC or for monitoring.

Easy and fast commissioning is guaranteed with the "Teach-in" and "Simulations" functions. Different tank shapes (cylindric, cubic, spheric) can be easily programmed by fixed default shapes or at complex tank shapes step by step.

The measured value can be showed as a level, a distance (cm, m, inch, or feet) or direct as a volume (liter, m³, imp gal, us gal). Non contact continuous level or volume measurement with all liquids in open or closed vessels.

Technical data

Range 0.30 ÷ 10 meter*
 Accuracy ± 0.25% of full scale
 ± 0.15% of full scale
 With calibration Teach-in mode

Resolution ± 3 mm
 Frequency 50 kHz
 Pulse rate 8 pulse/second
 Full beam width 8 degrees conical
 Blocking distance 30 cm from transducer base

Display type 15 x 60 mm LCD 8 digit,
 Alphanumeric 15 segment,
 9 mm high

Voltage supply 18-32 VDC
 Current 200 mA max
 Current flow Sinking or sourcing
 Output signal 4-20 mA alarm 22 mA
 18-32 VDC

Load @ 32 V max. 1300W
 @ 24 V max. 1000W
 @ 18 V max. 550W
 Fluid temperature -40 ÷ +80 °C
 Ambient temperature -20 ÷ +60 °C
 Temperature adjustment Programmable according to

Pressure rating max. 2 bar @ 25 °C

Transducer material PVDF

Enclosure material PC, reinforced with

20% glass fiber

Enclosure rating IP 65

Threads G 2" or NPT 2"

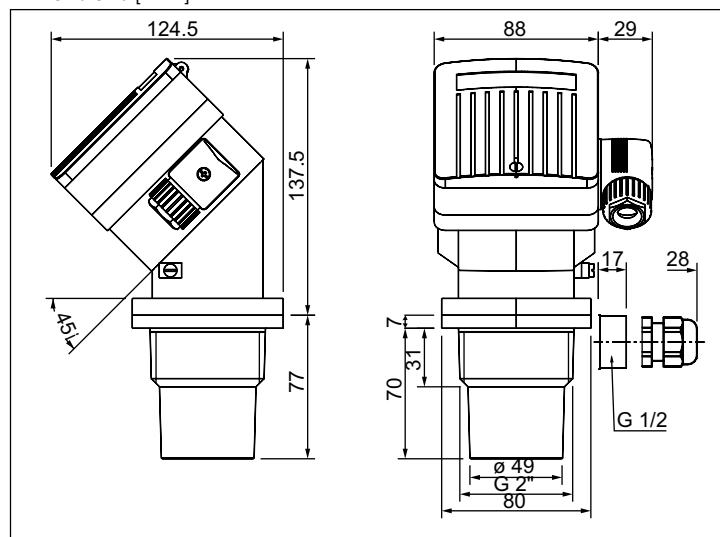
Gasket Viton or EPDM

(Or without gasket)

Signal invert 4-20 mA or 20-4 mA

*1 Under reference conditions (25°C, 1 bar in air, on liquid without foam)

Dimensions [mm]



TRANSMITTER SPECIFICATIONS

ORD. CODE

Power	Threads	Relays	Connector	Code	
[V]	[Inch]				
18-32 DC	G 2"	No	DIN 43650, PG 9	430 822 M	
18-32 DC	G 2"	No	PG 13.5	430 823 N	

ACCESSORIES SPECIFICATIONS

ORD. CODE

Description	Code	
2" FPM gasket	430 749 K	
2" EPDM gasket	430 750 Q	

✓ **TEACH-IN** function for easy Commissioning provides low Total cost of ownership

✓ **SIMULATION** function for system Tests under dry run conditions

✓ **Easy Link** with 4 ÷ 20 mA current Output for continuous control