

ADJUSTABLE TEMPERATURE SWITCHES TYPE 100TC

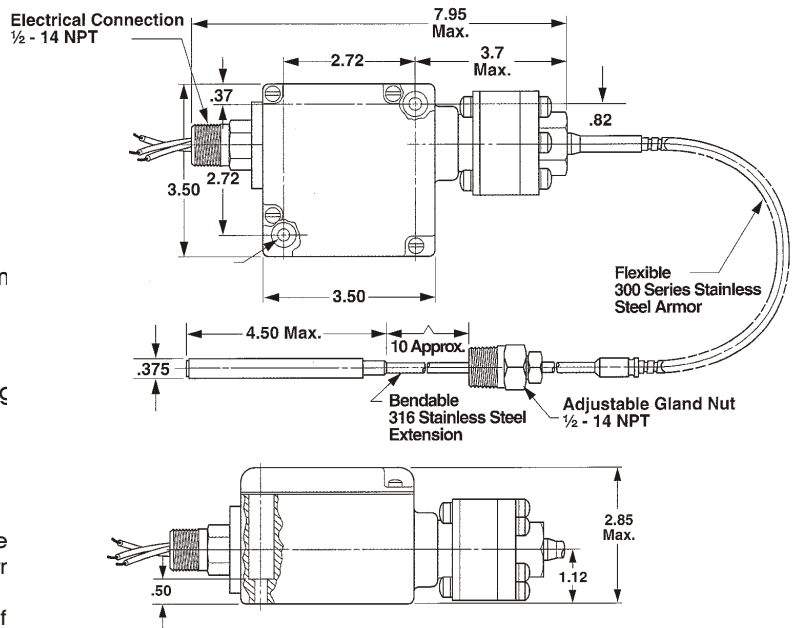
Range -56 ÷ 260 °C - Max Voltage 250 V - SPDT/DPDT Contact - NPT Threads

TECHNICAL DATA STANDARD EXECUTION

Execution	Explosion proof Eexd IIC T6
Certifications	Atex, CSA, CENELEC
Working temperature	Ambiente -40 +80 °C
Working pressure	105 bar
Pressure test	157 bar
Electrical thread	1/2" NPT Male, Insulated AWG leads L= 450mm
Proces thread	1/2" NPT Male
Mountig	Remote with S. Steel capillary, 6' long = 1850 mm
Adjustment	Wrench flat adjustment with rang

ELECTRICAL SPECIFICATIONS

Explosion proof. Factory sealed. Hermetically sealed Electrical assembly. P/N 057.0030 (C form), P/N 057.0057 (CC forr Underwriters' Laboratories Inc. Listed (file. E 56677) Canadian Standards Associations (file. 34146) f Division 1 and 2; Class I; Groups A, B, C, D; Class II Groups E, F, G, hazardous locations (NEMA 7 and 9), ATEX.



ORDERING CODE

100TC 5 J C6 WN

TYPE	100TC
WETTED MATERIAL	5
ADJUSTABLE RANGES	J
ELECTRICAL FORM	C6
MISCELLANEOUS	WN

EXPLANATION CODE

TYPE
100TC Explosion Proof thermo switches, remote mount

WETTED MATERIAL
5 300 Stainless Steel Threads & capillary, graphite filled non asbestos packing

RANGE 132T
B -56 ÷ 18 °C
D -14 ÷ 80 °C
F +21 ÷ +121 °C
H +62 ÷ +182 °C
J +151 ÷ +260 °C
L +230 ÷ 380 °C
N +315 ÷ 496 °C

ELECTRICAL FORM
C6 SPDT Contact: 11 A and 1/4 hp 125 or 250 VAC; 5 A resistive, 3 A inductive @ 28 VDC; 0,5 A resistive @ 125 VDC.
CC6 DPDT Contact: 11 A and 1/4 hp 125 or 250 VAC; 5 A resistive, 3 A inductive @ 28 VDC; 0,5 A resistive @ 125 VDC.

MISCELLANEOUS

- A Epoxy panit exterior for several environments.
- H 316 Stainless Steel body
- I 3/4" Conduit box with terminal strip
- J Annealed stainless steel port screw for H₂S environments
- M Gold electrical contacts for extremely low current
- N CENELEC / ATEX approval
- R 1800 mm electrical free leads
- W Stainless Steel exterior screws

N.B. Non catalog adjustable ranges and/or set point, and deadband. Thermowells

Adjustable set-point range	Increasing range °C	Decreasing range °C	Deadband °C	Max temperature °C
100TC				
B	-45 ÷ 18	-56 ÷ -17	11/1	121
D	-1 ÷ 80	-14 ÷ 77	13/3	204
F	35 ÷ 121	21 ÷ 119	14/2	232
H	80 ÷ 182	63 ÷ 179	17/3	260
J	168 ÷ 260	151 ÷ 257	17/3	315
L	251 ÷ 382	229 ÷ 379	22/3	482
N	340 ÷ 496	315 ÷ 492	25/4	649