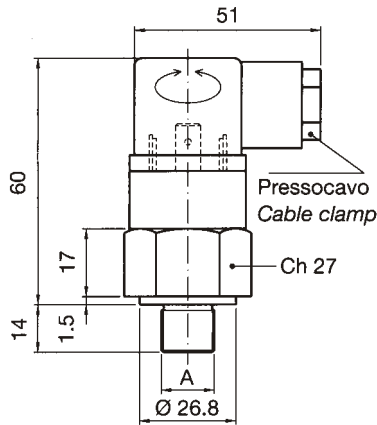


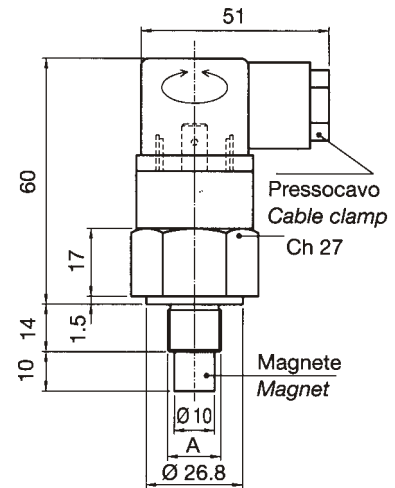
# TEMPERATURE SWITCHES FIXED SET POINT TYPE NTB - NTBM

Range 25°C ÷ 105°C - Max voltage 250 V - Normally Open or Closed contacts

NTB



TBM



## TECHNICAL DATA STANDARD EXECUTION

Max. Voltage	250 Vca
Working temperature	220 Vca
Contact	Normally Open
Current	10 A resistive @ 240 Vac
	5 A resistive @ 24 Vcc
	10 A resistive @ 12 Vcc
Differential	16 °C
Working temperature	Max 120 °C
Protection	IP 65
Connector	DIN 43650

## MATERIAL STANDARD EXECUTION

Body	Red anodized aluminium
Corpo portacontatti	Thermoplastic

## CODE EXPLANATION

<b>TYPE</b>	
NTB	bimetallic temperature switches, fixed set point
TBM	bimetallic temperature switches, fixed set point with permanent magnet

## RANGE

25	25 °C ± 5 °C
31	31 °C ± 5 °C
38	38 °C ± 5 °C
47	47 °C ± 5 °C
60	60 °C ± 5 °C
70	70 °C ± 5 °C
80	80 °C ± 5 °C
90	90 °C ± 5 °C
100	100 °C ± 5 °C
105	105 °C ± 5 °C

## TREADS "quote A"

B	G 3/8"
C	G 1/2"
D	M22 x 1,5

## CONTACT

(A)	Standard Normally Open
C	Normally Closed

## ORDERING CODE

NTB 47 C A

