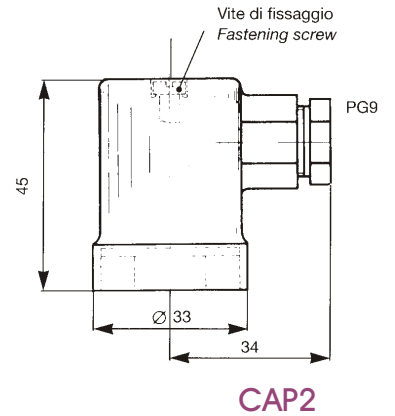
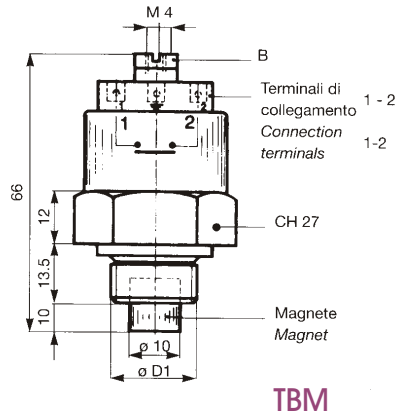
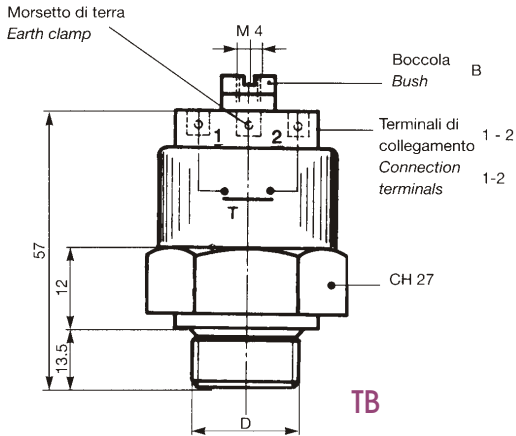


# TEMPERATURE SWITCHES FIXED SET POINT TYPE TB - TBM

Range 25°C ÷ 105°C - Max voltage 250 V - Normally Open or Closed contacts



## TECHNICAL DATA STANDARD EXECUTION

Max. Voltage	250 Vca
Working temperature	220 Vca
Contact	Normally Open
Current	15 A resistive @ 120 Vca
	10 A resistive @ 240 Vac
	5 A resistive @ 24 Vcc
	10 A resistive @ 12 Vcc
Differential	16 °C
Working temperature	Max 120 °C
Protection	IP 54
	IP 65 with CAP 2
Connector	PG 09

## MATERIAL STANDARD EXECUTION

Body	Brass
Corpo portacontatti	Thermoplastic

## CODE EXPLANATION

### TYPE

TB	bimetallic temperature switches, fixed set point
TBM	bimetallic temperature switches, fixed set point with permanent magnet

### RANGE

25	25 °C ± 5 °C
31	31 °C ± 5 °C
38	38 °C ± 5 °C
47	47 °C ± 5 °C
60	60 °C ± 5 °C
70	70 °C ± 5 °C
80	80 °C ± 5 °C
90	90 °C ± 5 °C
100	100 °C ± 5 °C
105	105 °C ± 5 °C

### TREADS "quote A"

B	G 3/8"
C	G 1/2"

### CONTACT

(-)	Standard Normally Open
C	Normally Closed

## ORDERING CODE

TB 60 B -

