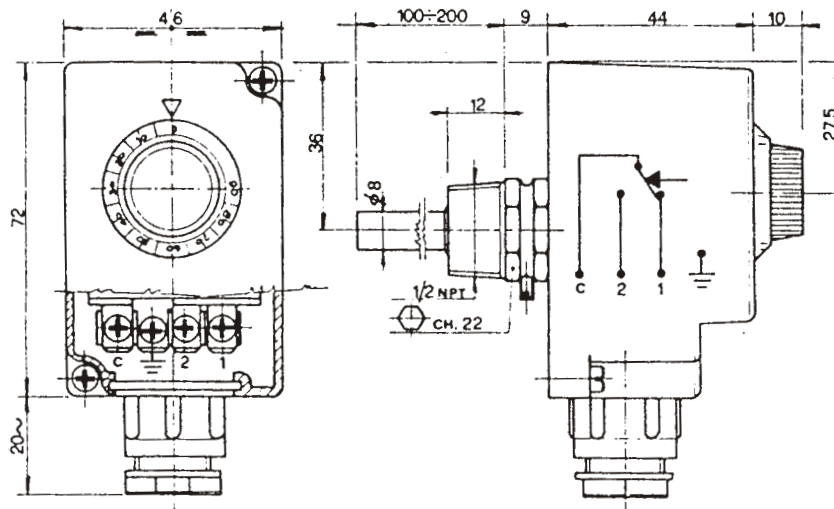


IMMERSION TEMPERATURE SWITCHES TYPE TC2

Range 0 °C ÷ 210 °C - Max. Voltage 380 V - SPDT Contact



TECHNICAL DATA STANDARD EXECUTION

Max. Voltage	380 V
Contact	SPDT
Current	10 A resistive @ 250 V 7 A resistive @ 380 V 2,5 A inductive @ 250 V
Differential Working Temperature	3 °C Max bulb 130 °C Max head 80 °C
Protection	IP 40
Connector	PG 9
Capillary	Length 100/200 mm Ø 8 mm
Thread	1/2" NPT Male

EXPLANATION CODE

TYPE	
TC2	SPDT Adjustable Temperature switches
RANGE	
90	0 °C ÷ 90 °C
210	40 °C ÷ 210 °C
CAPILLARY	
100	Length 100 mm
200	Length 200 mm
TREAD	
1/2" NPT	Male

ORDERING CODE

TC2 90 B100 1/2

TYPE	TC2
RANGE	90 - 210
CAPILLARY	100 - 200
TREAD	1/2" NPT