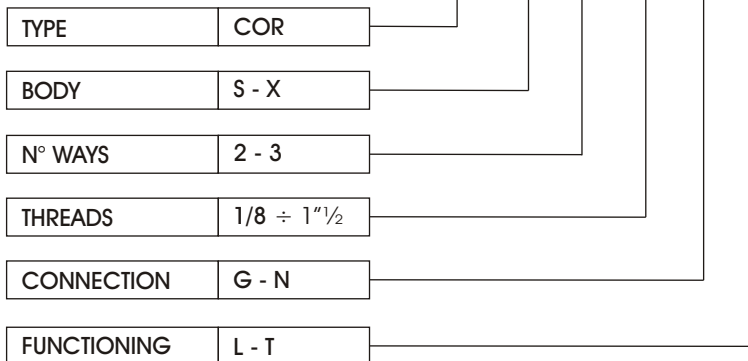


HIGH PRESSURE BALL VALVES 2/3 WAYS TYPE COR

In line mounting - Max Pressure max 350 ÷ 500 bar - Stainless and Stainless Steel body

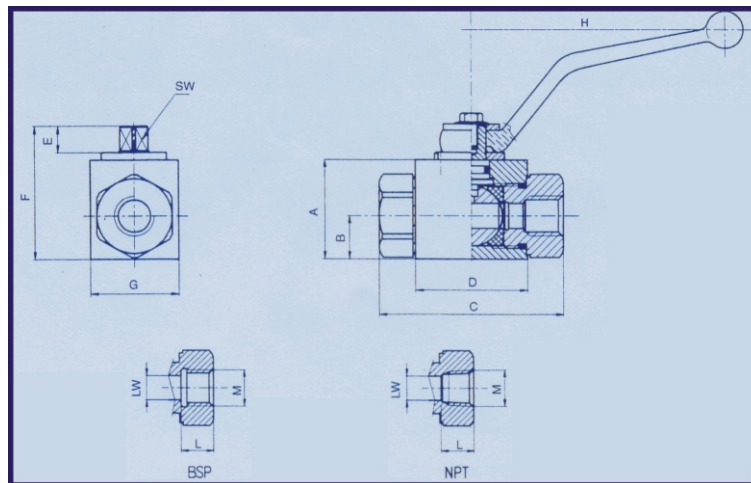
ORDERING CODE

COR S 2 018 G T



EXPLANATION CODE

TYPE
COR High pressure ball valve
 BODY
S Stainless
X Stainless Steel
 N° WAYS
2 2 ways
3 3 ways
 THREADS
 1/8", 1/4", 3/8", 1/2", 3/4", 1", 1"¼, 1"½
 CONNECTION
G GAS
S NPT
 FUNCTIONING (only for 3 ways)
L Center closed
T Center Open

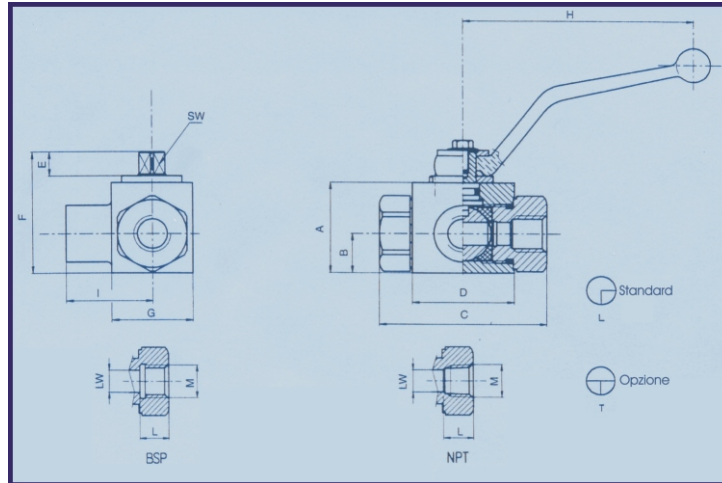


Standard	Series 2 ways GAS DIN/ISO 228 BSP Threads														St. Steel	
MODELS	PN _(bar)	DN	A	B	C	D	E	F	G	H	L	M	SW	LW	KG	MODELS
CORS2018G	500	4	35	14	71	42	11	49	30	110	11	G 1/8	9	4	0,5	CORX2018G
CORS2014G	500	6	35	14	71	42	11	49	30	110	16	G 1/4	9	6	0,5	CORX2014G
CORS2038G	500	10	40	17	73	44	11	54	35	110	16	G 3/8	9	10	0,65	CORX2038G
CORS2012G	500	13	43	18	83	48	11	57	37	110	17	G 1/2	9	13	0,75	CORX2012G
CORS2034G	400	20	55	23	95	62	13	73	45	180	21	G 3/4	14	20	1,4	CORX2034G
CORS2100G	350	25	65	29	113	66	13	83	55	180	24	G 1	14	25	2,15	CORX2100G
CORS2114G	350	25	65	29	121	66	13	83	55	180	24	G 1"¼	14	25	2,25	CORX2114G
CORS2112G	350	25	65	29	124	66	13	83	55	180	24	G 1"½	14	25	2,35	CORX2112G

Standard	Series 2 Ways NPT ANSI B 1.20.1 Threads														St. Steel	
MODELLO	PN _(psi)	DN	A	B	C	D	E	F	G	H	L	M	SW	LW	KG	MODELLO
CORS2018N	7250	4	35	14	71	42	11	49	30	110	11	N 1/8	9	4	0,5	CORX2018N
CORS2014N	7250	6	35	14	71	42	11	49	30	110	16	N 1/4	9	6	0,5	CORX2014N
CORS2038N	7250	10	40	17	73	44	11	54	35	110	16	N 3/8	9	10	0,65	CORX2038N
CORS2012N	7250	13	43	18	83	48	11	57	37	110	17	N 1/2	9	13	0,75	CORX2012N
CORS2034N	5800	20	55	23	95	62	13	73	45	180	21	N 3/4	14	20	1,4	CORX2034N
CORS2100N	5075	25	65	29	113	66	13	83	55	180	24	N 1	14	25	2,15	CORX2100N
CORS2114N	5075	25	65	29	121	66	13	83	55	180	24	N 1"¼	14	25	2,25	CORX2114N
CORS2112N	5075	25	65	29	124	66	13	83	55	180	24	N 1"½	14	25	2,35	CORX2112N

HIGH PRESSURE BALL VALVES 2/3 WAYS TYPE COR

In line mounting - Max Pressure max 350 ÷ 500 bar - Stainless and Stainless Steel body



N.B. when not specified always L operation (Closed Center)

Standard	Series 3 ways GAS DIN/ISO 228 BSP Threads															St. Steel	
MODELS	PN _(bar)	DN	A	B	C	D	E	F	G	H	I	L	M	SW	LW	KG	MODELS
CORS3018G	400	4	35	14	71	42	11	49	30	110	33,5	11	G 1/8	9	4	0,5	CORX3018G
CORS3014G	400	6	35	14	71	42	11	49	30	110	33,5	16	G 1/4	9	4	0,5	CORX3014G
CORS3038G	400	10	40	17	73	44	11	54	35	110	37	16	G 3/8	9	10	0,7	CORX3038G
CORS3012G	350	13	43	18	83	48	11	57	37	110	40	17	G 1/2	9	13	0,8	CORX3012G
CORS3034G	350	20	55	23	95	62	13	73	45	180	52	21	G 3/4	14	20	1,5	CORX3034G
CORS3100G	350	25	65	29	113	66	13	83	55	180	60	24	G 1	14	25	2,35	CORX3100G
CORS3114G	350	25	65	29	121	66	13	83	55	180	61,5	24	G1"1/4	14	25	2,5	CORX3114G
CORS3112G	350	25	65	29	124	66	13	83	55	180	61,5	24	G1"1/2	14	25	2,7	CORX3112G

Standard	Series 3 Ways NPT ANSI B 1.20.1 Ways															St. Steel	
MODELS	PN _(psi)	DN	A	B	C	D	E	F	G	H	I	L	M	SW	LW	KG	MODELS
CORS3018N	7250	4	35	14	71	42	11	49	30	110	33,5	11	N 1/8	9	4	0,5	CORX3018N
CORS3014N	7250	6	35	14	71	42	11	49	30	110	33,5	16	N 1/4	9	6	0,5	CORX3014N
CORS3038N	7250	10	40	17	73	44	11	54	35	110	37	16	N 3/8	9	10	0,7	CORX3038N
CORS3012N	7250	13	43	18	83	48	11	57	37	110	40	17	N 1/2	9	13	0,8	CORX3012N
CORS3034N	5800	20	55	23	95	62	13	73	45	180	52	21	N 3/4	14	20	1,5	CORX3034N
CORS3100N	5075	25	65	29	113	66	13	83	55	180	60	24	N 1	14	25	2,35	CORX3100N
CORS3114N	5075	25	65	29	121	66	13	83	55	180	61,5	24	N1"1/4	14	25	2,5	CORX3114G
CORS3112N	5075	25	65	29	124	66	13	83	55	180	61,5	24	N1"1/2	14	25	2,7	CORX3112N