

DOUBLE-ACTING NEEDLE CONTROL VALVES TYPE FT 267/2

cartridge mounting - Burst pressure 1300 bar - Temperature - 20° + 100 °C

FT 267/2

Flow control in both directions.

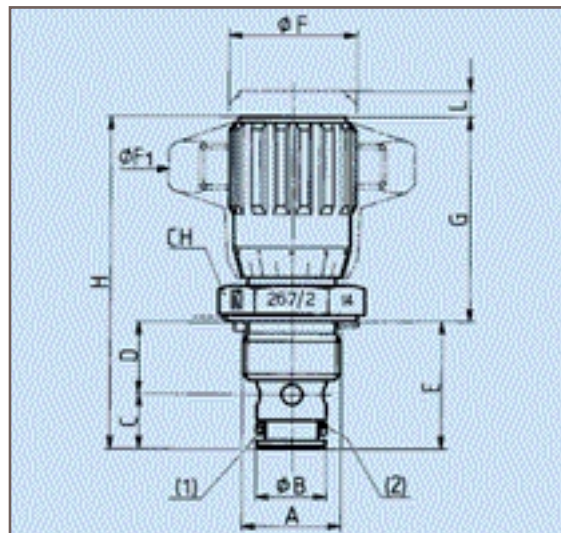
On request

- AISI version 316 stainless steel code FT 2267/2
- They are provided with seals in Viton (V)
- Handwheel in ABS-plastic

EXAMPLE FOR ORDERING

ACCESSORIES ON REQUEST

	Code	Type	Viton seal	Plastic handwheel
Steel	FT 267/2	38	V	mp
St. steel	FT 2267/2	12	-	mp



MATERIALS STANDARD EXECUTION

Body	9S Mn Pb 23 - UNI 5105
Needle	1 C 40 - UNI 8373
OR	Mescola nitrilica
Antiextrusion ring	PTFE
Handwheel GD	Al Si 12 - UNI 5706
Handwheel (mp)	ABS

Type	Section cm ²	Pressure Working bar	Temperature °C	Filtration μm
18	0,12	320	-20/+100	25
14	0,19	320	-20/+100	25
38	0,39	320	-20/+100	25
12	0,68	320	-20/+100	25
34	1,13	320	-20/+100	25
100	2,09	320	-20/+100	25

KIT of seals for seat

KIT of seals for needle

Type	(1) OR	(2) BK	Type	OR	BK
18	108	108	18	2018	2018
14	2043	2043	14	2021	2021
38	2050	2050	38	108	108
12	2062	2062	12	2043	2043
34	130	130	34	115	115
100	3118	3118	100	123	123

Type	A UNI 4534	B	C	D	E	F	F1	G	H	L	CH	Weight Kg
18	M15x1	12	9,3	11,2	20,5	22	40	35	55,5	5	22	0,064
14	M20x1,5	14	11	15,5	26,5	27	50	42,5	68,5	7	27	0,125
38	M20x1,5	16	13	17,5	30,5	33	70	48,5	78,5	9	27	0,180
12	M27x2	19	15,5	24,5	40	38	80	56	96	10,5	32	0,305
34	M33x2	27	18	26	44	47	100	63,5	109	13	41	0,580
100	M42x2	35	21	31,5	52,5	58	120	82	134,5	20	50	0,185

DOUBLE-ACTING NEEDLE CONTROL VALVES TYPE FT 267/2

cartridge mounting - Burst pressure 1300 bar - Temperature - 20° + 100 °C

Florate Curves

