

NEEDLE CONTROL VALVES TYPE FT 267/5

Cartridge mounting - Burst pressure 1300 bar - Temperature -20° + 100 °C

FT 267/5

They control and eventually shut-off the flow in one direction, allowing a free return in the opposed direction.

- Non-return valve set at 0.35 bar.

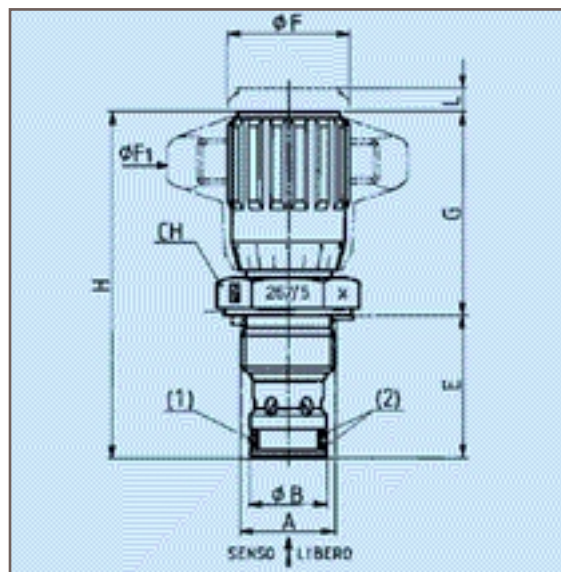
On request

- AISI version 316 stainless steel code FT 2267/5
- They are provided with Viton seals (V)
- Handwheel in ABS plastic

EXAMPLE FOR ORDERING

ACCESSORIES ON REQUEST

	Code	Type	Viton Seal	Plastic handwheel
Steel	FT 267/5	34	V	mp
St. Steel	FT 2267/5	12	-	mp



MATERIALS STANDARD EXECUTION

Body	9S Mn Pb 23 - UNI 5105
Needle	38 Ni Cr Mo 4 - UNI EN 10083
OR	Nitrile
Antiextrusion ring	PTFE
Check valve	38 Ni Cr Mo 4 - UNI EN 10083
Handwheel	GD - Al Si 12 - UNI 5706
Handwheel (mp)	ABS

Type	Section cm ²	Pressure Work bar	Temperature °C	Filtration μ m
14	0,07	320	-20/+100	25
38	0,15	320	-20/+100	25
12	0,37	320	-20/+100	25
34	1,56	320	-20/+100	25
100	3,80	320	-20/+100	25

KIT of seals for seat

Type	(1) OR	(2) BK
14	2050	BK 14 (FT)
38	2062	BK 38 (FT)
12	130	BK 12 (FT)
34	3118	BK 34 (FT)
100	3156	3156

KIT of seals for needle

Type	OR	BK
14	2012	2012
38	2018	2018
12	106	106
34	108	108
100	112	112

Type	A UNI 4534	B	E	F	F1	G	H	L	CH	Weight Kg
14	M20x1,5	16	30,5	27	50	43	73,5	4	27	0,130
38	M27x2	19	40	33	49	70	89	6	32	0,250
12	M33x2	27	44,5	38	60	80	104,5	7	41	0,340
34	M42x2	35	52,5	47	70	100	112,5	8	50	0,620
100	M52x2	45	64,5	58	120	85	149,5	12	60	1,632

VALVOLE UNIDIREZIONALI A CARTUCCIA TIPO FT 267/5

Montaggio a cartuccia - Pressione di scoppio 1300 bar - Temperatura -20° + 100 °C

Flowrate Curves

