

DIAPHRAGM VALVE ISO CONNECTION TYPE 2031

0 ÷ 10 bar - DN 8 ÷ 50mm - Process connection ISO 4200 - Pure, abrasive or aggressive fluids

The valve combination of hermetically sealed actuators, casted Stainless steel bodies and chemically neutral diaphragms provides Positive control of critical or pure fluids. The zero dead volume body Combined with various surface finishes allows a wide range of Applications. The valve can be actuated by pneumatic pilot valves (Single pilot valves, valve islands and control heads).

Technical Data

Pilot pressure	5.5 ... 7 bar
Body material	Stainless Steel investment cast DIN 17440 1.4404 / 316L Stainless Steel 1.4305
Threads for pilot valves	PPS
Actuator	EPDM
Diaphragm material	ISO 4200
Process connection	Satin finished
Surface finish	Internal Ra < 0.8 µm External Ra < 6.3 µm
Roughness average	-10°C ... +130°C (Shot time +150°C)
Fluid temperature	+5 °C ... +140 °C
Ambient temperature	+5 °C ... +90 °C (Shot time +140°C)
Actuator < Ø100 mm	Bi-direct
Actuator ≥ Ø100 mm	
Flow direction	

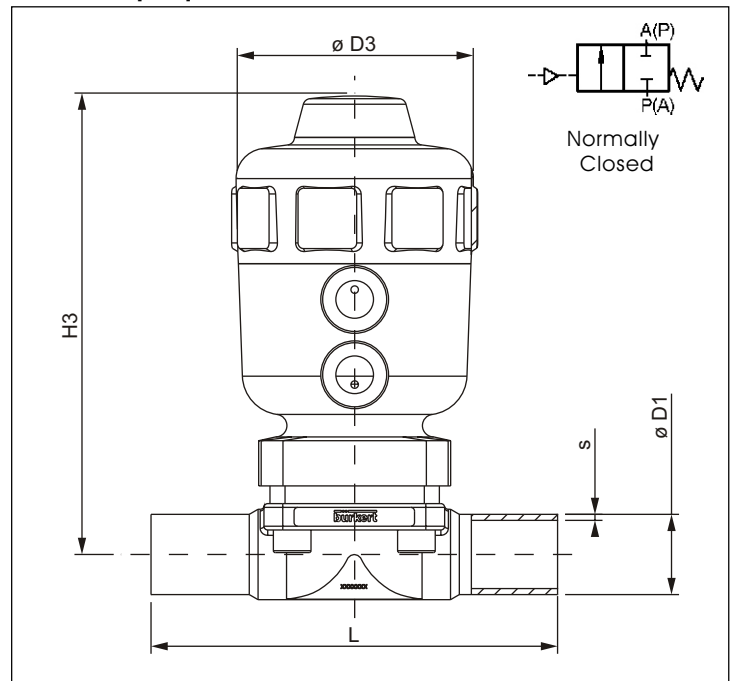
Options

- Various other weld end, Tri-clamp® and threaded conn.
- Double-acting actuator
- Digital electropneumatically Operated positioner
- Electrical position feedback
- Magnetic-inductive proximity Sensor for position
- Independently adjustable Stroke limitation:
- For high and low flow NAMUR-adapter for pilot valve

Valvole pilota

- Direct and quick mounting
- With Banjo and NAMUR valves
- Please order separately (see data-sheet)

Dimensions [mm]



Variable dimensions [mm]

DN	L	ØD1	s	ØD3	H3
8.0	90.0	13.5	1.6	53.0	85.0
10.0	90.0	17.2	1.6	53.0	85.0
15.0	110.0	21.3	1.6	64.0	121.0
20.0	119.0	26.9	1.6	80.0	148.0
25.0	129.0	33.7	2.0	80.0	157.0
40.0	161.0	48.3	2.0	127.0	233.0
50.0	192.0	60.3	2.0	127.0	244.0

Specifications

Orifice DN [mm]	Connection D1 x s [mm]	Kv-value (water) [m³/h]	Max. Pressure Operating [bar]	Actuator size [Ømm]	Weight [kg]
8.0	13.5 x 1.6	1.0	10.0	C-40	0.4
10.0	17.2 x 1.6	1.0	10.0	C-40	0.4
15.0	21.3 x 1.6	4.0	9.0	D-50	0.7
20.0	26.9 x 1.6	7.0	8.0	E-63	1.3
25.0	33.7 x 2.0	12.0	10.0	F-80	2.2
40.0	48.3 x 2.0	30.0	6.5	G-100	4.2
50.0	60.3 x 2.0	51.5	8.5	H-125	7.6

ORDERING CODE

Code	
441 215 T	
441 239 B	
441 282 X	
441 321 V	
441 364 G	
441 422 K	
441 477 S	

- ✓ Fully integrated in Burkert's "Easy Process Control Systems"
- ✓ Hermetic separation of fluid from Operating mechanism by diaphragm
- ✓ Zero dead volume
- ✓ Material certifications