

DIAPHRAGM VALVE FOR TYPE 2031

0 ÷ 10 bar - 1/4" ÷ 2" Threads - Polluted, dirty, abrasive or high viscosity fluids

This externally piloted diaphragm valve is an alternative to ball Valves. Long service life even with polluted "dirty" or high Viscosity fluids. The diaphragm between the actuator and body Hermetically isolates the fluid from the actuator. High flow rates Are attained with the 2 way unique stainless steel body.

Technical Data

Pressure range	0-10 bar, max.
Media temperature	-10 °C ... +140 °C
Ambient temperature	-10 °C ... +60 °C
Body material	Stainless Steel
Thread connection	ISO 228
Gasket material	EPDM
Actuator casing	Poliamide
Control pressure:	
Max. Admissible control press.	10 bar
Min. Required control pressure	4... 4.7 bar
Control medium	Neutral gases, Air

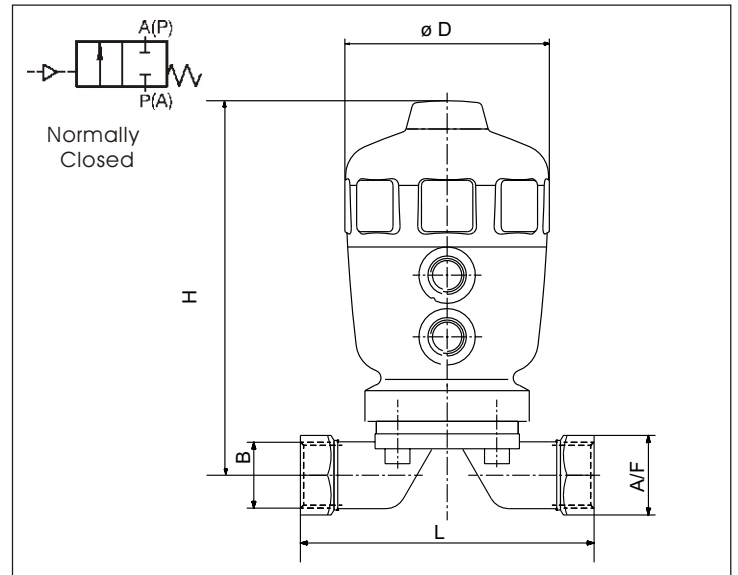
Options

- Double-acting actuator
- Without spring return
- Flanged connection
- TriClamp® connection
- Digital electropneumatically Operated positioner
- Electrical position feedback
- Magnetic-inductive proximity Sensors for position
- Independently adjustable Stroke limitation:
- For high and low flow
- Manual override
- NAMUR adapter for Pilot valve

Pilot Valves

- Direct and quick mounting
- With Banjo and NAMUR valves
- Please order separately (See data sheet)

Dimensionis[mm]



Variable dimensions [mm]

Thread	DN	Actuator Size. [Ømm]	L	B	ØD	H	A/F
G 1/4	8	40	90	G 1/4	53	85	17
G 1/2	15	63	102	G 1/2	80	139	27
G 3/4	20	80	118	G 3/4	101	174	32
G 1	25	80	127	G 1	101	177	41
G 1 1/4	32	100	146	G 1 1/4	127	230	50
G 1 1/2	40	125	159	G 1 1/2	153	274	60
G 2	50	125	191	G 2	153	278	70

SPECIFICATIONS

Thread [Inch]	Orifice [mm]	Kv-value [m³/H]	Max. Operating pressure [bar]	Required minimal control pressure [bar]	Actuator Size [Ømm]	Flow direction	Control Function
G 1/4	8.0	1.70	0-10	4.0	40	both sides	
G 1/2	15.0	5.40	0-10	4.7	63	both sides	
G 3/4	20.0	13.50	0-10	4.5	80	both sides	
G 1	25.0	22.00	0-10	4.5	80	both sides	
G 1 1/4	32.0	33.00	0-10	4.0	100	both sides	
G 1 1/2	40.0	43.00	0-10	4.6	125	both sides	
G 2	50.0	74.00	0-10	4.5	125	both sides	

ORDERING CODE

Code	
135 443 M	
141 570 E	
141 579 B	
141 585 J	
141 590 T	
141 598 X	
141 608 R	

- ✓ Hermetic isolation of fluid from The atmosphere
- ✓ Higher flow than conventional Diaphragm valves
- ✓ Zero dead volume
- ✓ Corrosion resistant