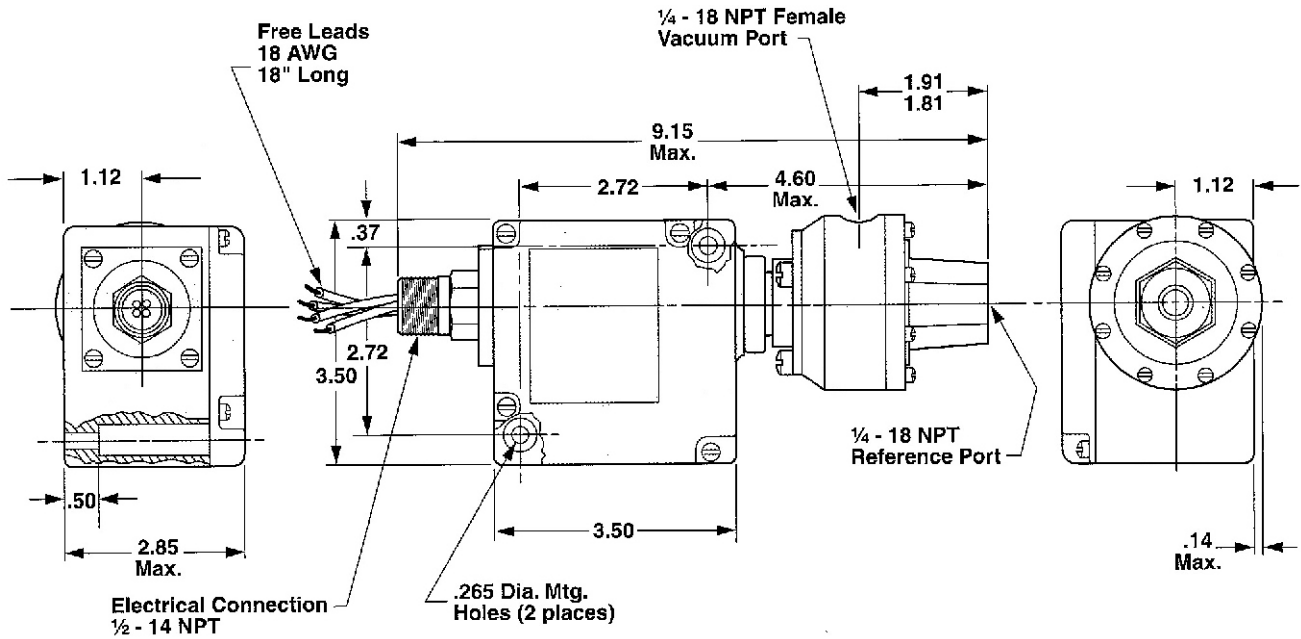


ADJUSTABLE VACUUM SWITCHES TYPE 180 EXPLOSION PROOF ATEX

Adjustment ranges -40 ÷ -950 mbar - Max. Voltage 250 V - SPDT/DPDT switches - NPT Threads



TECHNICAL DATA STANDARD EXECUTION

Execution	Explosion proof Exd IIC T6
Certifications	Atex, CSA, CENELEC
Working temperature	Ambient -40 +80 °C Media -40 +120 °C
Electrical threads	1/2" NPT Male, Insulated AWG leads L= 450 mm
Pressure Threads	Material 1 - 1/4" NPT Female
Adjustment	Wrench flat adjustment with range scale

ELECTRICAL SPECIFICATIONS

Explosion proof. Factory sealed. Hermetically sealed. Electrical assembly, P/N 057.0030 (C form), P/N 057.0057 (CC form). Underwriters' Laboratories Inc. Listed (file. E 56677) or Canadian Standards Associations (file. 34146) for Division 1 and 2; Class I; Groups A, B, C, D; Class II Groups E, F, G, hazardous locations (NEMA 7 and 9), ATEX.

ORDERING CODE

180P 4 4 C6 BN

TYPE	180
WETTED MATERIALS	1 - 4
ADJUSTABLE RANGE	4
ELECTRICAL FORM	C6 - CC6
MISCELLANEOUS	A - B - C - M - N - R - S

EXPLANATION CODE

TYPE

180P Explosion proof diaphragm Vacuum switches

WETTED MATERIALS

- 1 Aluminium port, Teflon coated polyimide diaphragm, Buna-N O-Ring
- 4 Stainless steel port, Teflon coated polyimide diaphragm, Buna-N O-Ring

RANGE 180

4 -40 ÷ -950 mbar

ELECTRICAL FORMS

- C6 SPDT Contact: 11 A and 1/4 hp 125 or 250 VAC; 5 A resistive, 3 A inductive @ 28 VDC; 0,5 A resistive @ 125 VDC.
- CC6 DPDT Contact: 11 A and 1/4 hp 125 or 250 VAC; 5 A resistive, 3 A inductive @ 28 VDC; 0,5 A resistive @ 125 VDC.

OPTIONS

- A Epoxy panit exterior for several environments.
- B Viton O-Ring
- C EPR O-Ring
- I 3/4" Conduit box with terminal strip
- M Gold electrical contacts for extremely low current
- N CENELEC / ATEX approval
- S AISI 316 stainless steel Diaphragm

N.B. Non-catalog adjustable ranges and/or set point, deadband and proof pressure. Operating temperature capability from -55 ÷ +200 °C.

Adjustable set-point range	Increasing range (mbar)	Decreasing range (mbar)	Deadband (mbar)	Maximum working pressure (bar)	Proof pressure (bar)
180P					
4	-100 ÷ -950	-40 ÷ -900	68	15	24