

ADJUSTABLE VACUUM SWITCHES TYPE VCN-VCM

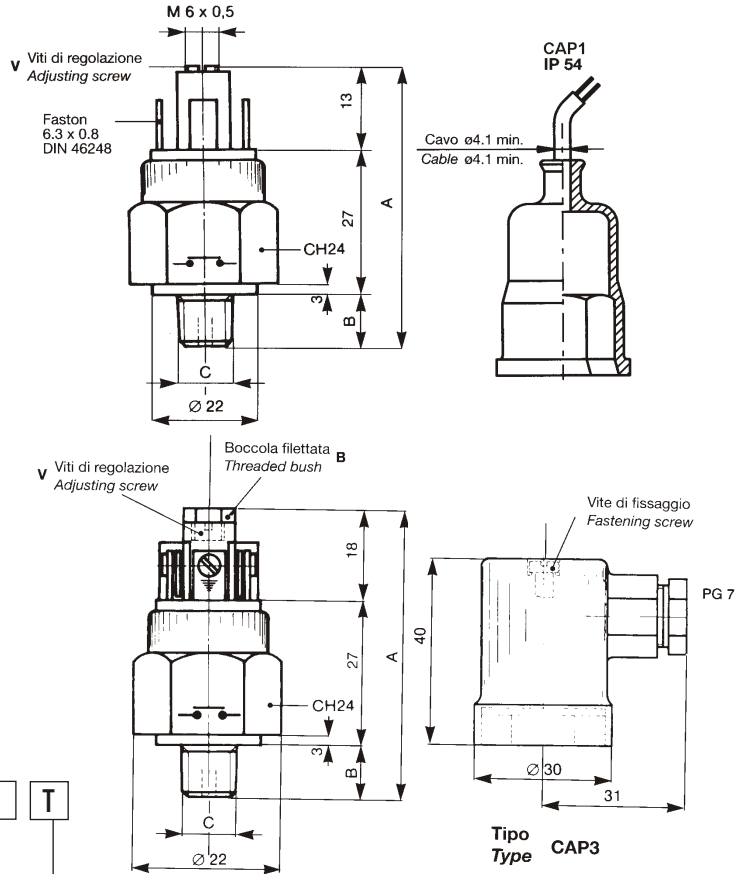
Adjustment ranges -200 ÷ -900 mbar - Max. Voltage 48 V - N.O. or N.C. Contacts

TECHNICAL DATA STANDARD EXECUTION

Max. Voltage	48 Vac/dc
Current	0,5 A resistive 0,2 A inductive
Working temperature	-5 + 60 °C
Max. Cycles rate @ 25 °C	200/min
mechanical life	10 ⁶ cycles
Protection terminal	IP 00
Protection with CAP1	IP 54 VCN
Protezione with CAP3	IP 65 VCM
Tghtening torque	5 Kgm

MATERIAL STANDARD EXECUTION

Body 24 AF	Tropicalized steel
Membrane	NBR
Switch housing	Nylon 6,6
Contact	Silver-plated copper 3 mc
Protection CAP 1	NBR
Protection CAP 3	Nylon 6,6



ORDERING CODE

VCM 2 A V 14K I T

YIPE	VCN1 - VCM2
RANGE	-200 ÷ -900 mbar
CONTACTS	NA (norm. Open) NC (norm. Closed)
MEMBRANE	(-) -V -S -NT -E
THREADS	(-) -14K
SPECIAL EXECUTIONS	I -P -G
SET-POINT	T... T...D

EXPLANATION CODE

TYPE

VCN1	Vacuum switches push-on terminals 6.3 x 0.8
VCM2	Vacuum switches screw terminals + hearth

RANGE

VCN1	-200 ÷ -900 mbar
VCM2	-200 ÷ -900 mbar

CONTACTS

A	Normally Open (without vacuum)
C	Normally Closed (without vacuum)

MEMBRANE

(-)	NBR	-5 +90 °C
NT	HNBR	-40 +140 °C
V	Viton	-5 +90 °C
S	Silicone	-30 +120 °C
E	EPDM	-20 +110 °C

THREADS "C"

(-)	G1/8"K taper thread (A=50 mm)
14K	G1/4"K taper thread (A=52 mm)

SPECIAL EXECUTIONS

I	AISI 303 Stainless steel body
P	Pocan switch ousing T. -40 ÷ +140 °C
G	Gold contacts 3 mc for low currents

SET-POINT

T...	Rising to required value, Ex. T-220 mbar
T...D	Falling to required value, Ex. T-300D mbar

Model	Range mbar	Type	Body material	Max static pressure	A mm	B mm	C GAS	Fixed hysteresis @ 25 °C	Tolerance @ 25 °C	Weight gr
VCN2	-200 ÷ -900	Membrane	Tropicalized steel	20 bar	49	10	1/8K	20 mbar	±50 mbar	60
VCM1	-200 ÷ -900			20 bar	51	12	1/8K	20 mbar	±50 mbar	67