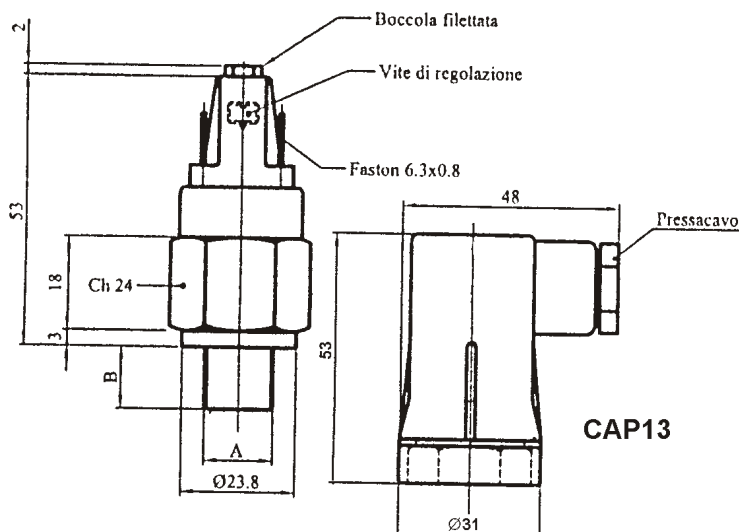


# ADJUSTABLE VACUUM SWITCHES TYPE VS

Adjustment ranges -200 ÷ -900 Mbar - Max. Voltage 250 V - NO - NC - SPDT contacts

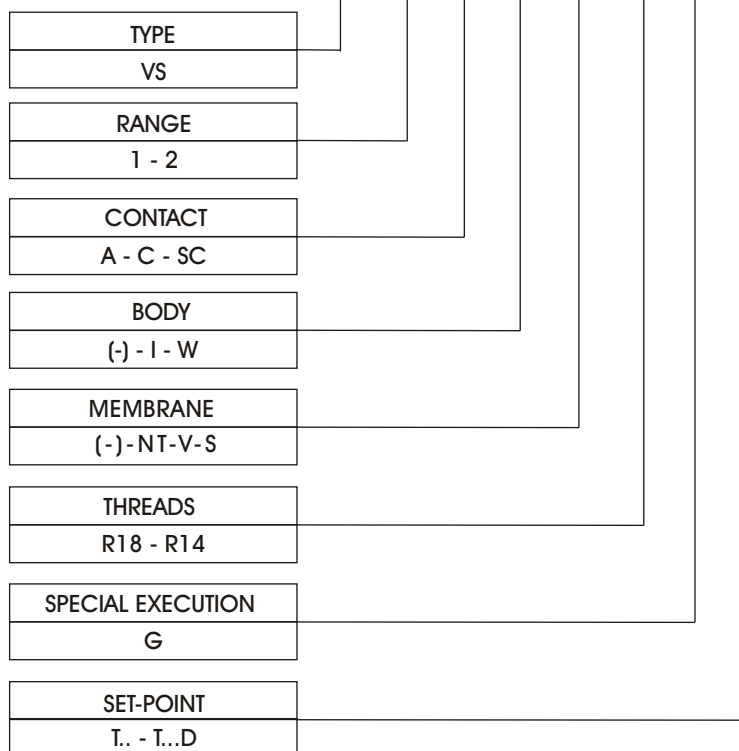
## TECHNICAL DATA STANDARD EXECUTION

Max. Voltage	250 Vca
Working voltage	220 Vca
Current	6 A res - 2 A ind. @ 250 Vac 2 A res. - 1 A ind. @ 24 Vdc 30 mA @ 30 Vdc gold contact
Switch insulation	C according VDE 0110
Hysteresis	max 100 mbar
Temperature range	-40° +140 °C (accoding membrane)
Max cycle rate @ 25 °C	120 / min.
Mechanical life	10 <sup>6</sup> cycles
Protection terminals	IP 00
Protection with CAP13	IP 65
Tightening torque	5 Kgm



## ORDERING CODE

VS 2 SC I V R14 G T..



## EXPLANATION CODE

- TYPE**  
VS Membrane vacuum switches
- RANGE**  
VS 1 -100 ÷ -500 mbar  
VS 2 -500 ÷ -900 mbar
- CONTACTS**  
A Normally Open  
C Normally Closed  
SC SPDT C/O contact
- BODY**  
(-) Tropicalized steel  
I AISI 303 stainless steel  
W AISI 316 stainless steel
- MEMBRANE**  
(-) NBR -5 + 90 °C  
NT HNBR -40 + 140 °C  
V Viton -5 + 90 °C  
S Red silicon -30 + 120 °C
- THREAD "A"**  
R18 G1/8" parallel (B= 10 mm)  
R14 G1/4" parallel (B= 12 mm)
- SPECIAL EXECUTION**  
G Gold contacts for low current ≤30 mA
- SET-POINT**  
T... Rising to required value Ex. -350 mbar  
T...D Falling to required value Ex. -700 mbar

Model	Type	Max. Static pressure	Hysteresis @ 25 °C	Tolerance @ 25°C	Weight gr
VS 1	Membrane	20 bar	100 mbar	± 50 mbar	100
VS 2		20 bar	100 mbar	± 80 mbar	