

# ADJUSTABLE FLOW SWITCH SERIES MR1KV

Fluids: Water oil, and viscous liquids (max 300 Cst. flow rates change at this visco)

Maximum working pressure: 200 bar

Maximum working temperature: 120 °C

Accuracy: ±5% f.s.

Materials: Nickel plated brass body (GM), Stainless Steel (GK)

Brass piston (GM), Stainless steel (GK)

Stainless steel spring

Ferrite magnet (GM), Ferrite PTFE coated (GK)

Polycarbonate Switch head

Contacts: Adjustable SPDT

Protection: IP65, PG9 Cable gland, DIN43650 Plug

Max supply: 220/50 V/Hz.

Mounting: Free installation position



## ORDERING CODE/TYPE

MR1KV	008	GM	004	IP65	0213		Name - Type
•							Tab.1
	•						Tab.2
		•					Tab.1
			•				Tab.3
				•			Tab.4
					•		

## TECHNICAL DATA

Tab.1

TYPE	DN	P max bar	T max °C	Adjustable range lt/min H <sub>2</sub> O			Q max lt/min	Δ P Qmax bar	Code Adjustable range	
MR1KV-008	1/4"	200	120	0,4 - 4			10	0,5	0,4 - 4	004
MR1KV-010	3/8"	200	120	0,4 - 4	1 - 10		20	0,5	1 - 10	010
MR1KV-015	1/2"	200	120	1 - 10	2 - 20	3 - 30	40	0,5	2 - 20	020
MR1KV-020	3/4"	200	120	3 - 30		4 - 40	60	0,5	3 - 30	030
MR1KV-025	1"	200	120	4 - 40		6 - 60	80	0,5	4 - 40	040
Filettatura	DN	UNI 228/1		6 - 60		060				
Accuracy	± 5% F.S.									
Hysteresis	10% - min. 0,5 lt/min									

## MATERIALS

Tab. 2

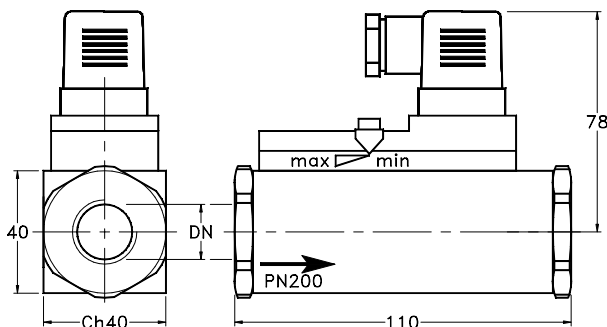
Description	Code	
	GM	GK
Body	Nickel plated brass	St. steel 1.4571
Piston	Brass	St. steel 1.4404
Spring	St. steel 1.4310	St. steel 1.4310
Magnet	Ferrite	Ferrite PTFE coated
Switch head	Polycarbonate	Polycarbonate

## ELECTRICAL DATA

Tab. 3

Description	Characteristics				
	Contact	REED	SPDT	250 VCA	1,5 A
Electrical entry	Plug		DIN 43650A		
Protection class	IP65				
Options					
Diode	LED	Red colour integrated into DIN plug			
Supply	VCA	230	110	48	24 12 To specify

## DIMENSIONS



## WIRING

