

ADJUSTABLE PRESSURE SWITCHES TYPE MS/PS

Max. voltage	250 Vca
Working voltage	220 Vca
Switch rating	6 (2) A @ 250 Vac
	2 (1) A @ 24 Vdc
Switch rating Gold contact	30 mA @ 30 Vdc
	1A / 24 Vdc S/D 50 m/s
Switch insulation	C according to VDE 0110
Hysteresis	~15% Set-point value
Temperature range	-40 +140 °C (diaphragm type)
Max cycle rate @ 25 °C	120/1' diaphragm type
Max cycle rate @ 25 °C	10/1' SS diaphragm type
Max cycle rate @ 25 °C	160/1' piston type
Mechanical life	10 ⁶ cicli
Protection terminal	IP 00
Protezione with CAP13	IP 65
Tightening torque max.	5 Kgm

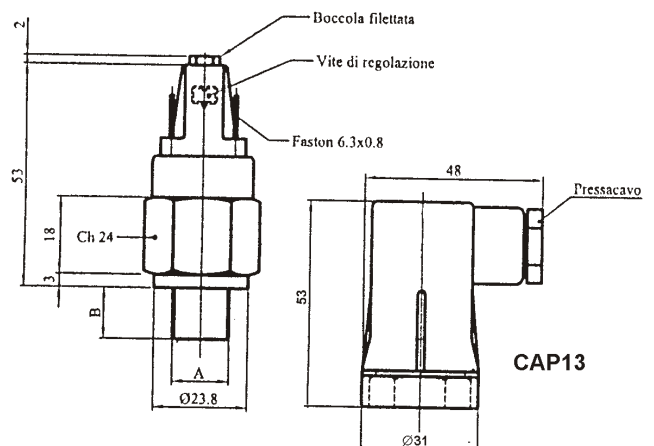


Model	MS	50	SC	W	E	R14	T35	Options		
								T... - T...D - G - SG - TG - P - AP		
Range	2 - 10 - 20 - 50 - 100 - 150 - 300			Body	(-) - I - W		"C"	Threads	"B"	
Contact (without pressure)	A - N. Open, C - N. Closed, SC - SPDT			Diaphragm		See table		R18	G1/8 Parallel	10
						R14	G1/4 Parallel	12		
						M10	M10x1 Parallel	10		
						M12	M12x1,5 Parallel	12		
						18NPT	G1/8 Taper	12		

MODEL	PRESSURE RANGE RELATIVE bar	DIMENSIONS "A" mm	MAX. STATIC RESSURE bar				FIXED HYSTERESIS @ 25°C bar	SET-POINT TOLERANCE @ 25°C bar	WEIGHT gr	
			STANDARD EXECUTION BRASS BODY	STANDARD EXECUTION TROPICALIZED STEEL		AISI 303 ST. STEEL BODY				AISI 316 ST. STEEL BODY
MS 2	0,2 - 2	57	80			150	150	±0,2	Membrane	100
MS 10	1 - 10	57	80			150	150	±0,4		100
MS 2AP	0,2 - 2	57			300		150	±0,2		100
MS 10AP	1 - 10	57			300			±0,4		100
MS 50	10 - 50	57		300		150	150	±2		100
MS 100	10 - 100	57		300		150	150	±3	100	
MS 150	30 - 150	57		300		250	250	±5	Piston	100
MS 300	50 - 300	57		300		400	400	±15		100

ORDERING CODE

Type MS:	Membrane Pressure swiches
Type PS:	Piston Pressure Switches
Body material AF24	- MS 2 - 10 Brass - MS 2-10 AP, PS 50 - 100 - 150 - 300 Tropicalized Steel I Stainless Steel AISI303 W Stainless Steel AISI316
Diaphragm/Gasket	- HNBR (-5°C...+60°C) V FKM (-5°C...+90°C) S Silicone (-30°C...+120°C) C Neoprene (-10°C...+90°C) E EPDM (-20°C...+110°C) MI Stainless Steel (-30°C...+140°C)
Threads "A"	R18 G 1/8 Parallel (B=10 mm) R14 G 1/4 parallel (B=12 mm) M10 M10 x 1 Parallel (B=10 mm) M12 M12 x 1,5 Parallel (B=12 mm) 18NPT 1/8 NPT (Taper) (B=10 mm)
Options (on request)	T... Rising set-point (ex. T6, set-point @ 6 bar) T...D Falling set-point (es. T5D, set-point@ 5 bar) AP High pressure execution only for MS2/10 with Tropicalized steel body up to 300 bar G Gold-plated contact ≤ 30 mA for low current SG Degreased for oxigen/gas applications TG Tested for gas applications



IIN COMPLIANCE WITH 2004/108 CE RULES EMC N° 147E/96 REPORT