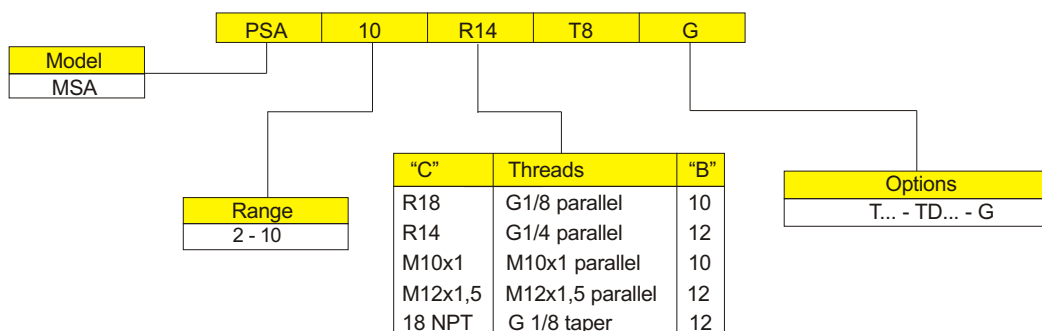


ADJUSTABLE PRESSURE SWITCHES TYPE PSA

Max. voltage	250 Vca
Working voltage	220 Vca
Switch rating	6 (2) A @ 250 Vac 2 (1) A @ 24 Vdc
Switch rating Gold contact	30 mA @ 30 Vdc 1A / 24 Vdc S/D 50 m/s
Switch insulation	C according to VDE 0110
Hysteresis	~15% Set-point value
Temperature range	-40 +140 °C (diaphragm type)
Max cycle rate @ 25 °C	120/1' diaphragm type
Max cycle rate @ 25 °C	10/1' SS diaphragm type
Max cycle rate @ 25 °C	160/1' piston type
Mechanical life	10 ⁶ cicli
Protection terminal	IP 00
Protezione with CAP13	IP 65
Tightening torque max.	5 Kgm



MODEL	ADJUSTMENT RELATIVE WORKING PRESSURE bar	DIMENSIONS mm			CONTACT	MAX STATIC PRESSURE bar	FIXED HYSTERESIS @ 25°C bar	TOLERANCE @ 25°C bar	EXECUTION	WEIGHT gr
		A	B	C						
PSA 2R18	0,2 - 2	22,5	10	G 1/8"	SPDT	30	± 0,2	10% - 30% S.P.	Membrane HNBR	90
PSA 2R14	0,2 - 2	22,5	12	G 1/4"	SPDT	30	± 0,2	10% - 30% S.P.		90
PSA 10R18	1 - 10	22,5	10	G 1/8"	SPDT	30	± 0,4	10% - 30% S.P.		90
PSA 10R14	1 - 10	22,5	12	G 1/4"	SPDT	30	± 0,4	10% - 30% S.P.		90

ORDERING CODE

Type PSA:	Diaphragm pressure switches Aluminium body
Body AF27	- Blu anodized aluminium
Diaphragm/Gasket	- HNBR (-25 °C...+140 °C)
Threads "C"	R18 G 1/8 parallel (B=10 mm) R14 G 1/4 parallel (B=12 mm)
Options (On request)	T... Rising set-point (ex. T6, sep-point @ 6 bar) T...D Falling set-point (ex. T5D, set-point @ 5 bar) G Gold-plated contact ≤ 30 mA

IN COMPLIANCE WITH 2004/108 CE RULES EMC N° 147E/96 REPORT

