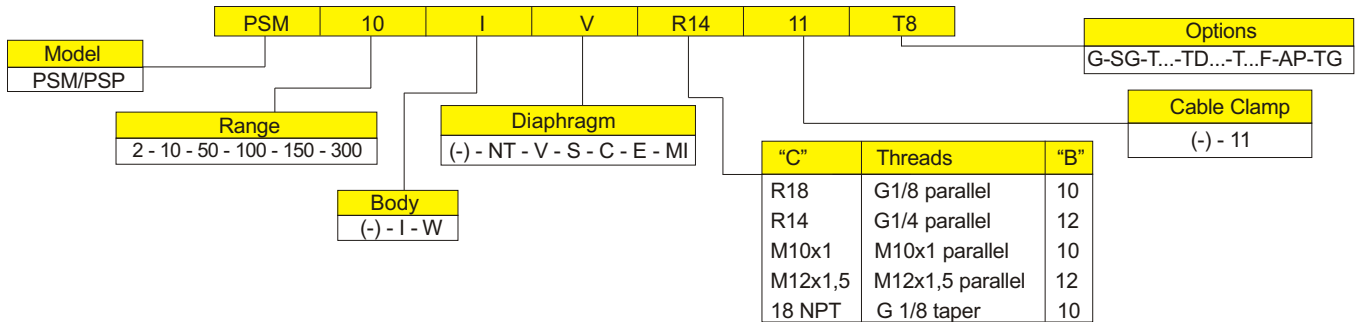


ADJUSTABLE PRESSURE SWITCHES TYPE PSM/PSP

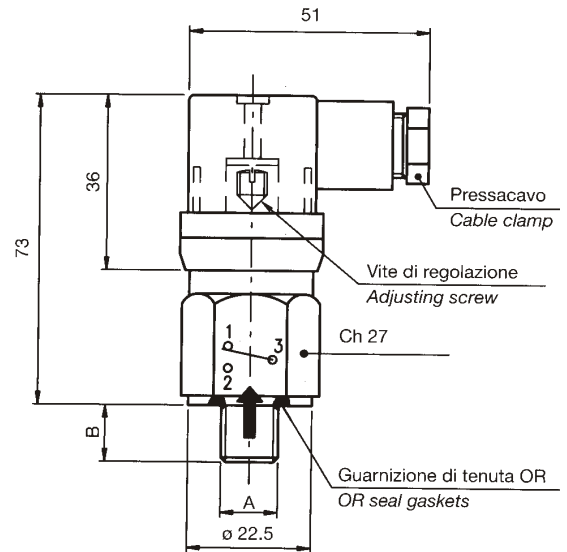
Type PSM Diaphragm SPDT pressure switches
 Type PSP Piston SPDT pressure switches
 Voltage Max. 250 Vca, Work 220 Vca
 Contact SPDT
 Current 6 A resistive, 2 A Inductive
 Hysteresis Adjustable 10% ± 30% of set-point
 Materials standard PSM, NBR Membrane and Gasket
 Body PSM 2+10 Brass, PSM 50+300 Tropicalized Steel
 Temperature -30°C ... +140°C (according to diaphragm/Body materials)
 Max. cycle rate 120/1' (membrane), 60/1' (piston) @ 25°C
 Protection IP65 with DIN 43650
 mechanical life 10⁶ operations
 Torque max 5 Kg



MODEL	PRESSURE RANGE RELATIVE bar	DIMENSIONS "A" mm	MAX. PRESSIONE STATICA SUPPORTABILE bar				SET-POINT TOLERANCE @ 25°C bar	EXECUTION	WEIGHT gr	
			STANDARD EXECUTION BRASS BODY	STANDARD EXECUTION TROPICALIZED STEEL BODY	AP EXECUTION PMN 1-2-10 ONLY TROPICALIZED STEEL BODY	STAINLESS STEEL AISI 303 BODY				STAINLESS STEEL AISI 316 BODY
PSM 2	0,2 - 2	73	80			150	150	±0,2	Diaphragm	100
PSM 10	1 - 10	73	80			150	150	±0,4		100
PSM 2AP	0,2 - 2	73	80				150	±0,2		100
PSM 10AP	1 - 10	73		300				±0,4		100
PSM 50	10 - 50	73			300	150	150	±2		100
PSM 100	10 - 100	73			300	150	150	±3		100
PSM 150	30 - 150	73		300		250	250	±5	Piston	100
PSM 300	50 - 300	73		300		400	400	±15		100

ORDERING CODE

Type PSM Diaphragm SPDT pressure switches
 Type PSP: Piston SPDT pressure switches
 Body material 27 AF
 - PSM 2 - 10 Brass
 - PSM 50 - 100 - 150 - 300 Tropicalized steel
 I Stainless steel AISI303
 W Stainless steel AISI316
 Diaphragm/Gasket
 - NBR (-5°C...+60°C)
 V FKM (-5°C...+90°C)
 S Silicone (-30°C...+120°C)
 NT HNBR (-25°C...+140°C)
 C Neoprene (-10°C...+90°C)
 E EPDM (-20°C...+110°C)
 MI Stainless steel (-30°C...+140°C)
 Threads "C"
 R18 G 1/8 parallel
 R14 G 1/4 parallel
 M10 M10 x 1 parallel
 M12 M12 x 1,5 parallel
 18NPT 1/8 NPT taper
 Options (on request)
 T... Rising set-point (ex. T8, set-point @ 8 bar)
 T...D Falling set-point (ex. T10D, set-point @ 10 bar)
 T...F Set-point and hysteresis @ the required value if >10% max 30% of set-point (ex T40DF15. (falling set-up @ 40 bar with hysteresis @10 bar)
 AP High pressure execution for PSM2/10 in tropicalized steel up to max 300 bar
 G Gold-plated contacts for low current ≤ 30 mA
 SG Degreased for oxygen applications
 TG Tested for applications with gas



IN COMPLIANCE WITH CE 89/336 STANDARDS EMC N° 149E/96 REPORT

COMER srl Via G. Rivani, 33 40138 Bologna Italy tel. 051/533007 fax. 051/6010482
 Web: www.comer-italia.com Mail: comer@comer-italia.com